



MASTER LEDtube GA —— 新一代的节能管照明

MASTER LEDtube GA 灯管

飞利浦 MASTER LEDtube 内建 LED 光源，在传统线性荧光灯外型中融合了雾面外盖设计，这项产品的长使用寿命与出色的流明维持率，将更换灯泡的麻烦减到最少，同时降低了维护成本。提供完整系列。

优点

- 节能环保，适合公共场所照明应用环境
- 使用寿命长达 30000 小时,维修成本少
- 直接替换 T8 荧光灯管,使用简单方便

特点

- 节能环保，适合公共场所照明应用环境
- 使用寿命长达 30000 小时,维修成本少
- 直接替换 T8 荧光灯管,使用简单方便

应用

- 停车场照明，工厂照明
- 办公室照明
- 公共场所照明

安全提示

· -

MASTER LEDtube GA 灯管

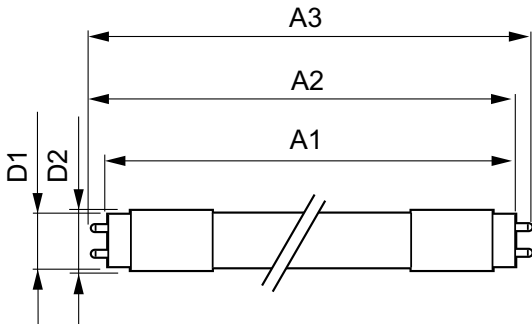
Versions



Střední dvoukolíková zářivková

MASTER LEDtube GA 灯管

二维绘图



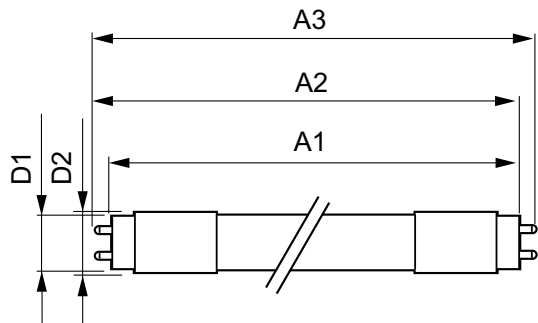
Product	D1	D2	A1	A2	A3
Master LEDTube 1200 mm 18W 865 T8 I W	25.6 mm	27.8 mm	1198.1 mm	1205.2 mm	1212.3 mm
MASTER LEDtube 900mm HO 12W 865 T8	25.78 mm	28 mm	893.3 mm	900.4 mm	907.5 mm
MASTER LEDtube 900mm HO 12W 840 T8	25.78 mm	28 mm	893.3 mm	900.4 mm	907.5 mm
MASTER LEDtube STD 1200mm 10.5W865 T8 I	25.8 mm	28 mm	1198.2 mm	1205.3 mm	1212.4 mm
MASTER LEDtube STD 1200mm 10.5W840 T8 I	25.8 mm	28 mm	1198.2 mm	1205.3 mm	1212.4 mm
MASTER LEDtube 1500mm UO 23W 865 T8	25.8 mm	28 mm	1498.7 mm	1505.8 mm	1512.9 mm
MASTER LEDtube 1200mm UO 15.5W 830 T8	25.8 mm	28 mm	1198.2 mm	1205.3 mm	1212.4 mm
MASTER LEDtube 1500mm UO 23W 830 T8	25.8 mm	28 mm	1498.7 mm	1505.8 mm	1512.9 mm
MASTER LEDtube 1200mm UO 15.5W 840 T8	25.8 mm	28 mm	1198.2 mm	1205.3 mm	1212.4 mm
MASTER LEDtube 1200mm UO 15.5W 865 T8	25.8 mm	28 mm	1198.2 mm	1205.3 mm	1212.4 mm
MASTER LEDtube 1500mm UO 23W 840 T8	25.8 mm	28 mm	1498.7 mm	1505.8 mm	1512.9 mm



Product	D1	D2	C1
MASTER LEDtube Starter EMP	3 mm	21.5 mm	34.5 mm

MASTER LEDtube GA 灯管

二维绘图



Product	D1	D2	A1	A2	A3
MASTER LEDtube 1200mm UE 14.5W 840 T8	25.8 mm	28 mm	1198.2 mm	1205.3 mm	1212.4 mm
MASTER LEDtube 1500mm UE 21.5W 865 T8	25.8 mm	28 mm	1498.8 mm	1505.9 mm	1513 mm
MASTER LEDtube 1200mm UE 14.5W 865 T8	25.8 mm	28 mm	1198.2 mm	1205.3 mm	1212.4 mm
MASTER LEDtube 1500mm UE 21.5W 840 T8	25.8 mm	28 mm	1498.8 mm	1505.9 mm	1513 mm
MASTER LEDtube 1200mm HO 14W830 T8	25.8 mm	28 mm	1198.2 mm	1205.3 mm	1212.4 mm
MASTER LEDtube 1200mm HO 14W865 T8	25.8 mm	28 mm	1198.2 mm	1205.3 mm	1212.4 mm
MASTER LEDtube 1200mm HO 14W840 T8	25.8 mm	28 mm	1198.2 mm	1205.3 mm	1212.4 mm
MASTER LEDtube 1200mm HO 12.5W 865 T8	25.8 mm	28 mm	1198.2 mm	1205.3 mm	1212.4 mm
MASTER LEDtube 1200mm HO 12.5W 840 T8	25.8 mm	28 mm	1198.2 mm	1205.3 mm	1212.4 mm
MASTER LEDtube 1200mm HO 12.5W 830 T8	25.8 mm	28 mm	1198.2 mm	1205.3 mm	1212.4 mm
MASTER LEDtube 1500mm HO 18.2W 865 T8	25.8 mm	28 mm	1498.8 mm	1505.9 mm	1513 mm
MASTER LEDtube 1500mm HO 18.2W 840 T8	25.8 mm	28 mm	1498.8 mm	1505.9 mm	1513 mm
MASTER LEDtube 1500mm HO 18.2W 830 T8	25.8 mm	28 mm	1498.8 mm	1505.9 mm	1513 mm

运营和电气

输入频率

50 至 60 Hz

运营和电气

Order Code	Full Product Name	电压 (标称) (标称)	功率 (额定) (标称)	启动时间 (标称)
929000299902	MASTER LEDtube Starter EMP	-	-	-
929001187812	Master LEDTube 1200 mm 18W 865 T8 I W	100-240 V	18 W	0.5 s
929001297608	MASTER LEDtube STD 1200mm 10.5W840 T8 I	220-240 V	10.5 W	0.5 s
929001297708	MASTER LEDtube STD 1200mm 10.5W865 T8 I	220-240 V	10.5 W	0.5 s
929001298402	MASTER LEDtube 900mm HO 12W 840 T8	220-240 V	12 W	0.5 s
929001298502	MASTER LEDtube 900mm HO 12W 865 T8	220-240 V	12 W	0.5 s
929001299208	MASTER LEDtube 1200mm HO 14W830 T8	220-240 V	14 W	0.5 s

Order Code	Full Product Name	电压 (标称) (标称)	功率 (额定) (标称)	启动时间 (标称)
929001299308	MASTER LEDtube 1200mm HO 14W840 T8	220-240 V	14 W	0.5 s
929001299408	MASTER LEDtube 1200mm HO 14W865 T8	220-240 V	14 W	0.5 s
929001376802	MASTER LEDtube 1200mm UE 14.5W 840 T8	220-240 V	14.5 W	0.5 s
929001376902	MASTER LEDtube 1200mm UE 14.5W 865 T8	220-240 V	14.5 W	0.5 s
929001377002	MASTER LEDtube 1500mm UE 21.5W 840 T8	220-240 V	21.5 W	0.5 s
929001377102	MASTER LEDtube 1500mm UE 21.5W 865 T8	220-240 V	21.5 W	0.5 s
929001922602	MASTER LEDtube 1200mm HO 12.5W 830 T8	220-240 V	12.5 W	0.5 s

MASTER LEDtube GA 灯管

Order Code	Full Product Name	功率 (额定) 启动时间		
		电压 (标称) (标称)	(标称)	(标称)
929001922702	MASTER LEDtube 1200mm HO 12.5W 840 T8	220-240 V	12.5 W	0.5 s
929001922802	MASTER LEDtube 1200mm HO 12.5W 865 T8	220-240 V	12.5 W	0.5 s
929001922902	MASTER LEDtube 1500mm HO 18.2W 830 T8	220-240 V	18.2 W	0.5 s
929001923002	MASTER LEDtube 1500mm HO 18.2W 840 T8	220-240 V	18.2 W	0.5 s
929001923102	MASTER LEDtube 1500mm HO 18.2W 865 T8	220-240 V	18.2 W	0.5 s
929002020502	MASTER LEDtube 1200mm UO 15.5W 830 T8	220-240 V	15.5 W	0.5 s

Order Code	Full Product Name	功率 (额定) 启动时间		
		电压 (标称) (标称)	(标称)	(标称)
929002020602	MASTER LEDtube 1200mm UO 15.5W 840 T8	220-240 V	15.5 W	0.5 s
929002020702	MASTER LEDtube 1200mm UO 15.5W 865 T8	220-240 V	15.5 W	0.5 s
929002020802	MASTER LEDtube 1500mm UO 23W 830 T8	220-240 V	23 W	0.5 s
929002020902	MASTER LEDtube 1500mm UO 23W 840 T8	220-240 V	23 W	0.5 s
929002021002	MASTER LEDtube 1500mm UO 23W 865 T8	220-240 V	23 W	0.5 s

基本信息

Order Code	Full Product Name	底座	标称寿命 (标称)	
			称)	切换循环
929000299902	MASTER LEDtube Starter EMP	-	-	-
929001187812	Master LEDTube 1200 mm 18W 865 T8 I W	G13	40000 h	50000X
929001297608	MASTER LEDtube STD 1200mm 10.5W840 T8 I	G13	50000 h	200000X
929001297708	MASTER LEDtube STD 1200mm 10.5W865 T8 I	G13	50000 h	200000X
929001298402	MASTER LEDtube 900mm HO 12W 840 T8	G13 ROT (Rotating)	50000 h	200000X
929001298502	MASTER LEDtube 900mm HO 12W 865 T8	G13 ROT (Rotating)	50000 h	200000X
929001299208	MASTER LEDtube 1200mm HO 14W830 T8	G13	50000 h	200000X
929001299308	MASTER LEDtube 1200mm HO 14W840 T8	G13	50000 h	200000X
929001299408	MASTER LEDtube 1200mm HO 14W865 T8	G13	50000 h	200000X
929001376802	MASTER LEDtube 1200mm UE 14.5W 840 T8	G13 ROT (Rotating)	70000 h	200000X
929001376902	MASTER LEDtube 1200mm UE 14.5W 865 T8	G13 ROT (Rotating)	70000 h	200000X
929001377002	MASTER LEDtube 1500mm UE 21.5W 840 T8	G13 ROT (Rotating)	70000 h	200000X
929001377102	MASTER LEDtube 1500mm UE 21.5W 865 T8	G13 ROT (Rotating)	70000 h	200000X

Order Code	Full Product Name	底座	标称寿命 (标称)	
			称)	切换循环
929001922602	MASTER LEDtube 1200mm HO 12.5W 830 T8	G13 ROT (Rotating)	60000 h	200000X
929001922702	MASTER LEDtube 1200mm HO 12.5W 840 T8	G13 ROT (Rotating)	60000 h	200000X
929001922802	MASTER LEDtube 1200mm HO 12.5W 865 T8	G13 ROT (Rotating)	60000 h	200000X
929001922902	MASTER LEDtube 1500mm HO 18.2W 830 T8	G13 ROT (Rotating)	60000 h	200000X
929001923002	MASTER LEDtube 1500mm HO 18.2W 840 T8	G13 ROT (Rotating)	60000 h	200000X
929001923102	MASTER LEDtube 1500mm HO 18.2W 865 T8	G13 ROT (Rotating)	60000 h	200000X
929002020502	MASTER LEDtube 1200mm UO 15.5W 830 T8	G13 ROT (Rotating)	60000 h	200000X
929002020602	MASTER LEDtube 1200mm UO 15.5W 840 T8	G13 ROT (Rotating)	60000 h	200000X
929002020702	MASTER LEDtube 1200mm UO 15.5W 865 T8	G13 ROT (Rotating)	60000 h	200000X
929002020802	MASTER LEDtube 1500mm UO 23W 830 T8	G13 ROT (Rotating)	60000 h	200000X
929002020902	MASTER LEDtube 1500mm UO 23W 840 T8	G13 ROT (Rotating)	60000 h	200000X
929002021002	MASTER LEDtube 1500mm UO 23W 865 T8	G13 ROT (Rotating)	60000 h	200000X

应用

Order Code	Full Product Name	能耗 kWh/	
		1000 h	能效标签 (EEL)
929000299902	MASTER LEDtube Starter EMP	-	-

Order Code	Full Product Name	能耗 kWh/	
		1000 h	能效标签 (EEL)
929001187812	Master LEDTube 1200 mm 18W 865 T8 I W	18 kWh	A+

MASTER LEDtube GA 灯管

Order Code	Full Product Name	能耗 kWh/ 1000 h	能效标签 (EEL)
929001297608	MASTER LEDtube STD 1200mm 10.5W840 T8 I	11 kWh	A++
929001297708	MASTER LEDtube STD 1200mm 10.5W865 T8 I	11 kWh	A++
929001298402	MASTER LEDtube 900mm HO 12W 840 T8	12 kWh	A++
929001298502	MASTER LEDtube 900mm HO 12W 865 T8	12 kWh	A++
929001299208	MASTER LEDtube 1200mm HO 14W830 T8	14 kWh	A++
929001299308	MASTER LEDtube 1200mm HO 14W840 T8	14 kWh	A++
929001299408	MASTER LEDtube 1200mm HO 14W865 T8	14 kWh	A++
929001376802	MASTER LEDtube 1200mm UE 14.5W 840 T8	15 kWh	A++
929001376902	MASTER LEDtube 1200mm UE 14.5W 865 T8	15 kWh	A++
929001377002	MASTER LEDtube 1500mm UE 21.5W 840 T8	22 kWh	A++
929001377102	MASTER LEDtube 1500mm UE 21.5W 865 T8	22 kWh	A++
929001922602	MASTER LEDtube 1200mm HO 12.5W 830 T8	13 kWh	A++

Order Code	Full Product Name	能耗 kWh/ 1000 h	能效标签 (EEL)
929001922702	MASTER LEDtube 1200mm HO 12.5W 840 T8	13 kWh	A++
929001922802	MASTER LEDtube 1200mm HO 12.5W 865 T8	13 kWh	A++
929001922902	MASTER LEDtube 1500mm HO 18.2W 830 T8	19 kWh	A++
929001923002	MASTER LEDtube 1500mm HO 18.2W 840 T8	19 kWh	A++
929001923102	MASTER LEDtube 1500mm HO 18.2W 865 T8	19 kWh	A++
929002020502	MASTER LEDtube 1200mm UO 15.5W 830 T8	16 kWh	A++
929002020602	MASTER LEDtube 1200mm UO 15.5W 840 T8	16 kWh	A++
929002020702	MASTER LEDtube 1200mm UO 15.5W 865 T8	16 kWh	A++
929002020802	MASTER LEDtube 1500mm UO 23W 830 T8	23 kWh	A++
929002020902	MASTER LEDtube 1500mm UO 23W 840 T8	23 kWh	A++
929002021002	MASTER LEDtube 1500mm UO 23W 865 T8	23 kWh	A++

控制调光

Order Code	Full Product Name	可调光
929000299902	MASTER LEDtube Starter EMP	-
929001187812	Master LEDTube 1200 mm 18W 865 T8 I W	否
929001297608	MASTER LEDtube STD 1200mm 10.5W840 T8 I	否
929001297708	MASTER LEDtube STD 1200mm 10.5W865 T8 I	否
929001298402	MASTER LEDtube 900mm HO 12W 840 T8	否
929001298502	MASTER LEDtube 900mm HO 12W 865 T8	否
929001299208	MASTER LEDtube 1200mm HO 14W830 T8	否
929001299308	MASTER LEDtube 1200mm HO 14W840 T8	否
929001299408	MASTER LEDtube 1200mm HO 14W865 T8	否
929001376802	MASTER LEDtube 1200mm UE 14.5W 840 T8	否
929001376902	MASTER LEDtube 1200mm UE 14.5W 865 T8	否
929001377002	MASTER LEDtube 1500mm UE 21.5W 840 T8	否
929001377102	MASTER LEDtube 1500mm UE 21.5W 865 T8	否

Order Code	Full Product Name	可调光
929001922602	MASTER LEDtube 1200mm HO 12.5W 830 T8	否
929001922702	MASTER LEDtube 1200mm HO 12.5W 840 T8	否
929001922802	MASTER LEDtube 1200mm HO 12.5W 865 T8	否
929001922902	MASTER LEDtube 1500mm HO 18.2W 830 T8	否
929001923002	MASTER LEDtube 1500mm HO 18.2W 840 T8	否
929001923102	MASTER LEDtube 1500mm HO 18.2W 865 T8	否
929002020502	MASTER LEDtube 1200mm UO 15.5W 830 T8	否
929002020602	MASTER LEDtube 1200mm UO 15.5W 840 T8	否
929002020702	MASTER LEDtube 1200mm UO 15.5W 865 T8	否
929002020802	MASTER LEDtube 1500mm UO 23W 830 T8	否
929002020902	MASTER LEDtube 1500mm UO 23W 840 T8	否
929002021002	MASTER LEDtube 1500mm UO 23W 865 T8	否

照明科技

Order Code	Full Product Name	光束角度 (标称)	颜色代码	相关色温 (标称)	显色指数 (标称)	标称使用寿命结束时灯的光通维持率 (标称)	光通量 (标称)
929000299902	MASTER LEDtube Starter EMP	-	-	-	-	-	-
929001187812	Master LEDTube 1200 mm 18W 865 T8 I W	160 °	865	6500 K	82	70 %	2100 lm
929001297608	MASTER LEDtube STD 1200mm 10.5W840 T8 I	160 °	840	4000 K	83	70 %	1600 lm
929001297708	MASTER LEDtube STD 1200mm 10.5W865 T8 I	160 °	865	6500 K	83	70 %	1600 lm
929001298402	MASTER LEDtube 900mm HO 12W 840 T8	160 °	840	4000 K	83	70 %	1575 lm

MASTER LEDtube GA 灯管

Order Code	Full Product Name	光束角度 (标称)	颜色代码	相关色温 (标称)	显色指数 (标称)	标称使用寿命结束时灯的光通维持率 (标称)	光通量 (标称)
929001298502	MASTER LEDtube 900mm HO 12W 865 T8	160 °	865	6500 K	83	70 %	1575 lm
929001299208	MASTER LEDtube 1200mm HO 14W830 T8	160 °	830	3000 K	83	70 %	2000 lm
929001299308	MASTER LEDtube 1200mm HO 14W840 T8	160 °	840	4000 K	83	70 %	2100 lm
929001299408	MASTER LEDtube 1200mm HO 14W865 T8	160 °	865	6500 K	83	70 %	2100 lm
929001376802	MASTER LEDtube 1200mm UE 14.5W 840 T8	160 °	840	4000 K	83	70 %	2500 lm
929001376902	MASTER LEDtube 1200mm UE 14.5W 865 T8	160 °	865	6500 K	83	70 %	2500 lm
929001377002	MASTER LEDtube 1500mm UE 21.5W 840 T8	160 °	840	4000 K	83	70 %	3700 lm
929001377102	MASTER LEDtube 1500mm UE 21.5W 865 T8	160 °	865	6500 K	83	70 %	3700 lm
929001922602	MASTER LEDtube 1200mm HO 12.5W 830 T8	160 °	830	3000 K	83	70 %	2000 lm
929001922702	MASTER LEDtube 1200mm HO 12.5W 840 T8	160 °	840	4000 K	83	70 %	2100 lm
929001922802	MASTER LEDtube 1200mm HO 12.5W 865 T8	160 °	865	6500 K	83	70 %	2100 lm
929001922902	MASTER LEDtube 1500mm HO 18.2W 830 T8	160 °	830	3000 K	83	70 %	2900 lm
929001923002	MASTER LEDtube 1500mm HO 18.2W 840 T8	160 °	840	4000 K	83	70 %	3100 lm
929001923102	MASTER LEDtube 1500mm HO 18.2W 865 T8	160 °	865	6500 K	83	70 %	3100 lm
929002020502	MASTER LEDtube 1200mm UO 15.5W 830 T8	160 °	830	3000 K	83	70 %	2300 lm
929002020602	MASTER LEDtube 1200mm UO 15.5W 840 T8	160 °	840	4000 K	83	70 %	2500 lm
929002020702	MASTER LEDtube 1200mm UO 15.5W 865 T8	160 °	865	6500 K	83	70 %	2500 lm
929002020802	MASTER LEDtube 1500mm UO 23W 830 T8	160 °	830	3000 K	83	70 %	3400 lm
929002020902	MASTER LEDtube 1500mm UO 23W 840 T8	160 °	840	4000 K	83	70 %	3700 lm
929002021002	MASTER LEDtube 1500mm UO 23W 865 T8	160 °	865	6500 K	83	70 %	3700 lm

机械和壳体

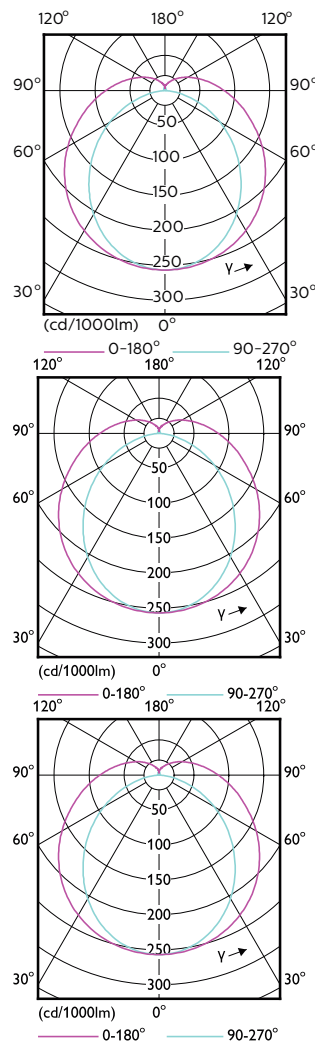
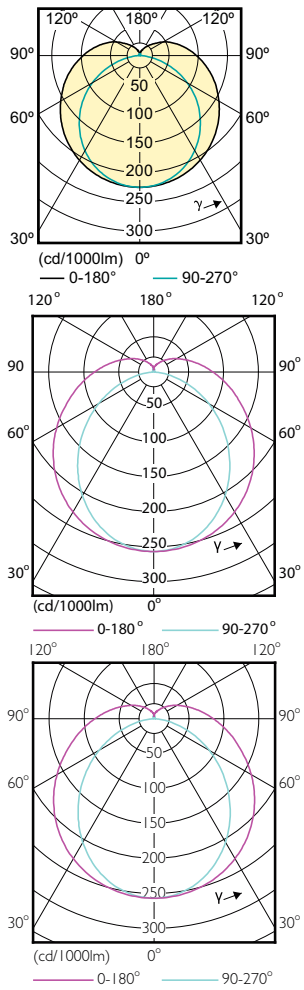
Order Code	Full Product Name	灯泡外形	Order Code	Full Product Name	灯泡外形
929000299902	MASTER LEDtube Starter EMP	-	929001922602	MASTER LEDtube 1200mm HO 12.5W 830 T8	管, 双端
929001187812	Master LEDTube 1200 mm 18W 865 T8 I W	管, 双端	929001922702	MASTER LEDtube 1200mm HO 12.5W 840 T8	管, 双端
929001297608	MASTER LEDtube STD 1200mm 10.5W840 T8 I	管, 双端	929001922802	MASTER LEDtube 1200mm HO 12.5W 865 T8	管, 双端
929001297708	MASTER LEDtube STD 1200mm 10.5W865 T8 I	管, 双端	929001922902	MASTER LEDtube 1500mm HO 18.2W 830 T8	管, 双端
929001298402	MASTER LEDtube 900mm HO 12W 840 T8	管, 双端	929001923002	MASTER LEDtube 1500mm HO 18.2W 840 T8	管, 双端
929001298502	MASTER LEDtube 900mm HO 12W 865 T8	管, 双端	929001923102	MASTER LEDtube 1500mm HO 18.2W 865 T8	管, 双端
929001299208	MASTER LEDtube 1200mm HO 14W830 T8	管, 双端	929002020502	MASTER LEDtube 1200mm UO 15.5W 830 T8	管, 双端
929001299308	MASTER LEDtube 1200mm HO 14W840 T8	管, 双端	929002020602	MASTER LEDtube 1200mm UO 15.5W 840 T8	管, 双端
929001299408	MASTER LEDtube 1200mm HO 14W865 T8	管, 双端	929002020702	MASTER LEDtube 1200mm UO 15.5W 865 T8	管, 双端
929001376802	MASTER LEDtube 1200mm UE 14.5W 840 T8	管, 双端	929002020802	MASTER LEDtube 1500mm UO 23W 830 T8	管, 双端
929001376902	MASTER LEDtube 1200mm UE 14.5W 865 T8	管, 双端	929002020902	MASTER LEDtube 1500mm UO 23W 840 T8	管, 双端
929001377002	MASTER LEDtube 1500mm UE 21.5W 840 T8	管, 双端	929002021002	MASTER LEDtube 1500mm UO 23W 865 T8	管, 双端
929001377102	MASTER LEDtube 1500mm UE 21.5W 865 T8	管, 双端			

温度

Order Code	Full Product Name	环境温度 (最高)	环境温度 (最低)	最大外壳温度 (标称)	存放温度 (最高)	存放温度 (最低)
929000299902	MASTER LEDtube Starter EMP	-	-	-	-	-
929001187812	Master LEDTube 1200 mm 18W 865 T8 I W	45 °C	-20 °C	70 °C	65 °C	-40 °C
929001297608	MASTER LEDtube STD 1200mm 10.5W840 T8 I	45 °C	-20 °C	50 °C	65 °C	-40 °C
929001297708	MASTER LEDtube STD 1200mm 10.5W865 T8 I	45 °C	-20 °C	50 °C	65 °C	-40 °C
929001298402	MASTER LEDtube 900mm HO 12W 840 T8	45 °C	-20 °C	50 °C	65 °C	-40 °C
929001298502	MASTER LEDtube 900mm HO 12W 865 T8	45 °C	-20 °C	50 °C	65 °C	-40 °C
929001299208	MASTER LEDtube 1200mm HO 14W830 T8	45 °C	-20 °C	55 °C	65 °C	-40 °C
929001299308	MASTER LEDtube 1200mm HO 14W840 T8	45 °C	-20 °C	55 °C	65 °C	-40 °C
929001299408	MASTER LEDtube 1200mm HO 14W865 T8	45 °C	-20 °C	55 °C	65 °C	-40 °C
929001376802	MASTER LEDtube 1200mm UE 14.5W 840 T8	35 °C	-20 °C	55 °C	65 °C	-40 °C

MASTER LEDtube GA 灯管

Order Code	Full Product Name	环境温度 (最高)	环境温度 (最低)	最大外壳温度 (标称)	存放温度 (最高)	存放温度 (最低)
929001376902	MASTER LEDtube 1200mm UE 14.5W 865 T8	35 °C	-20 °C	55 °C	65 °C	-40 °C
929001377002	MASTER LEDtube 1500mm UE 21.5W 840 T8	35 °C	-20 °C	60 °C	65 °C	-40 °C
929001377102	MASTER LEDtube 1500mm UE 21.5W 865 T8	35 °C	-20 °C	60 °C	65 °C	-40 °C
929001922602	MASTER LEDtube 1200mm HO 12.5W 830 T8	45 °C	-20 °C	50 °C	65 °C	-40 °C
929001922702	MASTER LEDtube 1200mm HO 12.5W 840 T8	45 °C	-20 °C	50 °C	65 °C	-40 °C
929001922802	MASTER LEDtube 1200mm HO 12.5W 865 T8	45 °C	-20 °C	50 °C	65 °C	-40 °C
929001922902	MASTER LEDtube 1500mm HO 18.2W 830 T8	45 °C	-20 °C	55 °C	65 °C	-40 °C
929001923002	MASTER LEDtube 1500mm HO 18.2W 840 T8	45 °C	-20 °C	55 °C	65 °C	-40 °C
929001923102	MASTER LEDtube 1500mm HO 18.2W 865 T8	45 °C	-20 °C	55 °C	65 °C	-40 °C
929002020502	MASTER LEDtube 1200mm UO 15.5W 830 T8	45 °C	-20 °C	55 °C	65 °C	-40 °C
929002020602	MASTER LEDtube 1200mm UO 15.5W 840 T8	45 °C	-20 °C	55 °C	65 °C	-40 °C
929002020702	MASTER LEDtube 1200mm UO 15.5W 865 T8	45 °C	-20 °C	55 °C	65 °C	-40 °C
929002020802	MASTER LEDtube 1500mm UO 23W 830 T8	45 °C	-20 °C	60 °C	65 °C	-40 °C
929002020902	MASTER LEDtube 1500mm UO 23W 840 T8	45 °C	-20 °C	60 °C	65 °C	-40 °C
929002021002	MASTER LEDtube 1500mm UO 23W 865 T8	45 °C	-20 °C	60 °C	65 °C	-40 °C



MASTER LEDtube GA 灯管

