



# 亮度更强、高性能照明让商业表现更为出色

## 高光通 MASTER LEDspot PAR

飞利浦高亮度 LED PAR30L，相较于传统 CDM PAR30L 相同外形，但光源中集成了业界先进的 COB LED 光源和紧凑高效的驱动器。使该产品可提供具有更高亮度的照明，让商业表现更为出色。此外，该灯具还配备了过温保护 (OTP) 功能，可确保长时间工作和长使用寿命。

### 优点

- 只需低初始投资，即可实现用 LED CDM 替代 PAR30
- 与标准 CDM 灯相比，节能率高达 43%
- 高效的解决方案 >100 lm/W

### 特点

- 通过轻松移除传统镇流器即可兼容配备 E27 灯座的 CDM PAR30L 灯具
- 无散热问题且不会褪色
- 25,000 小时的使用寿命
- 无 UV 和 IR 的光
- 不含汞和有害材料 – 符合 RoHS

### 应用

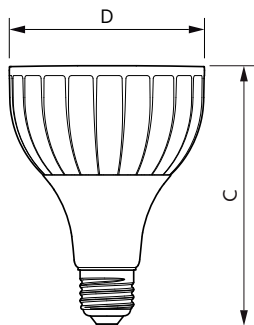
- 商店、酒店、餐厅、博物馆

# 高光通 MASTER LEDspot PAR

## Versions



## 二维绘图



Product	D	C
Master LED PAR30L 40W 15D 830 CN	95.5 mm	129 mm
Master LED PAR30L 40W 30D 830 CN	95.5 mm	129 mm
Master LED PAR30L 20W 15D 830 CN	95.5 mm	129 mm
Master LED PAR30L 20W 30D 830 CN	95.5 mm	129 mm
Master LED PAR30L 40W 15D 860 CN	95.5 mm	129 mm
Master LED PAR30L 40W 30D 860 CN	95.5 mm	129 mm
Master LED PAR30L 40W 30D 840 CN	95.5 mm	129 mm
Master LED PAR30L 40W 15D 840 CN	95.5 mm	129 mm
Master LED PAR30L 32W 15D 830 CN	95.5 mm	129 mm
Master LED PAR30L 32W 30D 860 CN	95.5 mm	129 mm
Master LED PAR30L 20W 15D 840 CN	95.5 mm	129 mm
Master LED PAR30L 20W 30D 840 CN	95.5 mm	129 mm
Master LED PAR30L 32W 15D 840 CN	95.5 mm	129 mm
Master LED PAR30L 32W 30D 840 CN	95.5 mm	129 mm
Master LED PAR30L 32W 30D 830 CN	95.5 mm	129 mm
Master LED PAR30L 32W 15D 860 CN	95.5 mm	129 mm

# 高光通 MASTER LEDspot PAR

应用	
能效标签 (EEL)	A+
控制调光	
可调光	否
运营和电气	
输入频率	50 至 60 Hz
电压 (标称)	220-240 V
启动时间 (标称)	0.5 s
基本信息	
底盖	E27
标称寿命 (标称)	25000 h
切换循环	50000X
照明科技	
显色指数 (标称)	82
标称使用寿命结束时灯的光通维持率 (标称)	70 %
机械和壳体	
灯泡外形	PAR30L

## 应用

Order Code	Full Product Name	能耗 kWh/1000 h
929001353810	Master LED PAR30L 20W 15D 830 CN	20 kWh
929001353910	Master LED PAR30L 20W 15D 840 CN	20 kWh
929001354010	Master LED PAR30L 20W 30D 830 CN	20 kWh
929001354110	Master LED PAR30L 20W 30D 840 CN	20 kWh
929001354310	Master LED PAR30L 32W 15D 830 CN	32 kWh
929001354410	Master LED PAR30L 32W 15D 840 CN	32 kWh
929001354510	Master LED PAR30L 32W 15D 860 CN	32 kWh
929001354710	Master LED PAR30L 32W 30D 830 CN	32 kWh
929001354810	Master LED PAR30L 32W 30D 840 CN	32 kWh
929001354910	Master LED PAR30L 32W 30D 860 CN	32 kWh
929001374410	Master LED PAR30L 40W 15D 830 CN	40 kWh
929001374510	Master LED PAR30L 40W 15D 840 CN	40 kWh
929001374610	Master LED PAR30L 40W 15D 860 CN	40 kWh
929001374810	Master LED PAR30L 40W 30D 830 CN	40 kWh
929001374910	Master LED PAR30L 40W 30D 840 CN	40 kWh
929001375010	Master LED PAR30L 40W 30D 860 CN	40 kWh

## 运营和电气

Order Code	Full Product Name	瓦数相当	功率 (额定) (标称)
929001353810	Master LED PAR30L 20W 15D 830 CN	35 W	20 W
929001353910	Master LED PAR30L 20W 15D 840 CN	35 W	20 W
929001354010	Master LED PAR30L 20W 30D 830 CN	35 W	20 W
929001354110	Master LED PAR30L 20W 30D 840 CN	35 W	20 W
929001354310	Master LED PAR30L 32W 15D 830 CN	50 W	32 W
929001354410	Master LED PAR30L 32W 15D 840 CN	50 W	32 W
929001354510	Master LED PAR30L 32W 15D 860 CN	50 W	32 W
929001354710	Master LED PAR30L 32W 30D 830 CN	50 W	32 W

Order Code	Full Product Name	瓦数相当	功率 (额定) (标称)
929001354810	Master LED PAR30L 32W 30D 840 CN	50 W	32 W
929001354910	Master LED PAR30L 32W 30D 860 CN	50 W	32 W
929001374410	Master LED PAR30L 40W 15D 830 CN	70 W	40 W
929001374510	Master LED PAR30L 40W 15D 840 CN	70 W	40 W
929001374610	Master LED PAR30L 40W 15D 860 CN	70 W	40 W
929001374810	Master LED PAR30L 40W 30D 830 CN	70 W	40 W
929001374910	Master LED PAR30L 40W 30D 840 CN	70 W	40 W
929001375010	Master LED PAR30L 40W 30D 860 CN	70 W	40 W

## 照明科技 (1/2)

Order Code	Full Product Name	光束角度 (标称)	颜色代码	相关色温(标称)	光通量 (标称)
929001353810	Master LED PAR30L 20W 15D 830 CN	15°	830	3000 K	1800 lm
929001353910	Master LED PAR30L 20W 15D 840 CN	15°	840	4000 K	1850 lm
929001354010	Master LED PAR30L 20W 30D 830 CN	30°	830	3000 K	1800 lm
929001354110	Master LED PAR30L 20W 30D 840 CN	30°	840	4000 K	1850 lm
929001354310	Master LED PAR30L 32W 15D 830 CN	15°	830	3000 K	3000 lm
929001354410	Master LED PAR30L 32W 15D 840 CN	15°	840	4000 K	3000 lm

Order Code	Full Product Name	光束角度 (标称)	颜色代码	相关色温(标称)	光通量 (标称)
929001354510	Master LED PAR30L 32W 15D 860 CN	15°	860	6000 K	3000 lm
929001354710	Master LED PAR30L 32W 30D 830 CN	30°	830	3000 K	3000 lm
929001354810	Master LED PAR30L 32W 30D 840 CN	30°	840	4000 K	3000 lm
929001354910	Master LED PAR30L 32W 30D 860 CN	30°	860	6000 K	3000 lm
929001374410	Master LED PAR30L 40W 15D 830 CN	15°	830	3000 K	4000 lm
929001374510	Master LED PAR30L 40W 15D 840 CN	15°	840	4000 K	4200 lm

# 高光通 MASTER LEDspot PAR

Order Code	Full Product Name	光束角度 (标称)	颜色代码	相关色温(标称)	光通量(标称)
929001374610	Master LED PAR30L 40W 15D 860 CN	15°	860	6000 K	4200 lm
929001374810	Master LED PAR30L 40W 30D 830 CN	30°	830	3000 K	4500 lm

Order Code	Full Product Name	光束角度 (标称)	颜色代码	相关色温(标称)	光通量(标称)
929001374910	Master LED PAR30L 40W 30D 840 CN	30°	840	4000 K	4600 lm
929001375010	Master LED PAR30L 40W 30D 860 CN	30°	860	6000 K	4600 lm

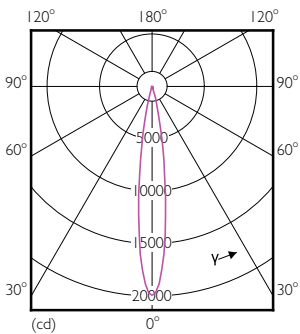
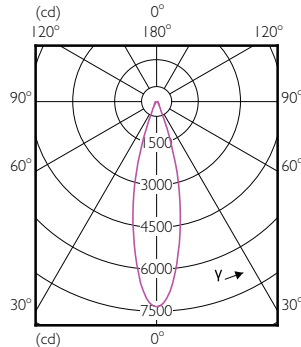
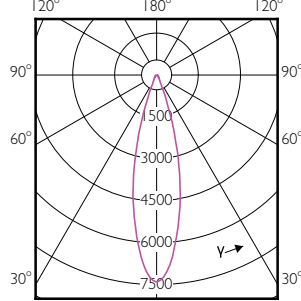
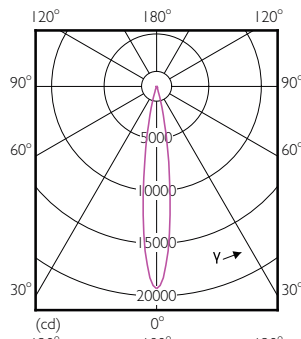
## 照明科技 (2/2)

Order Code	Full Product Name	发光强度(标称)
929001353810	Master LED PAR30L 20W 15D 830 CN	18000 cd
929001353910	Master LED PAR30L 20W 15D 840 CN	-
929001354010	Master LED PAR30L 20W 30D 830 CN	5400 cd
929001354110	Master LED PAR30L 20W 30D 840 CN	-
929001354310	Master LED PAR30L 32W 15D 830 CN	-
929001354410	Master LED PAR30L 32W 15D 840 CN	-
929001354510	Master LED PAR30L 32W 15D 860 CN	-
929001354710	Master LED PAR30L 32W 30D 830 CN	-

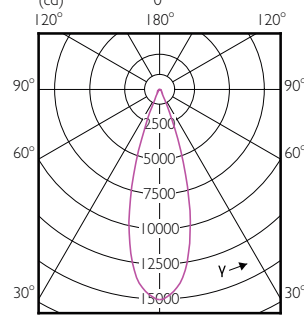
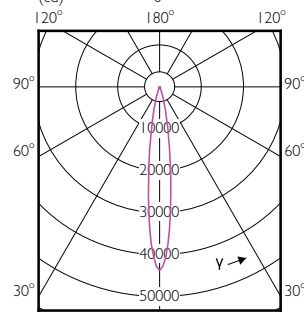
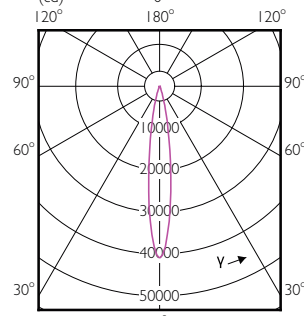
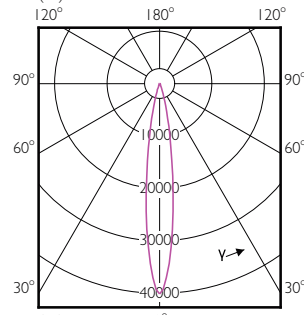
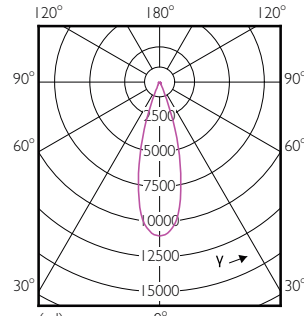
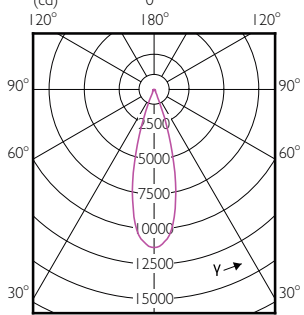
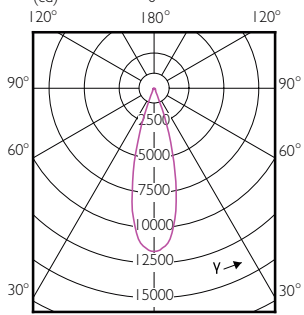
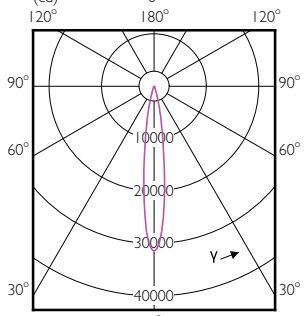
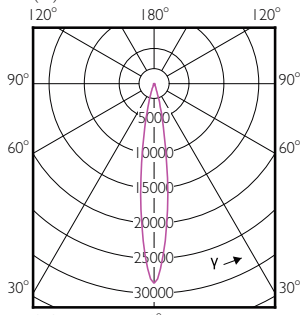
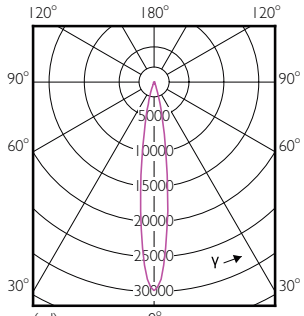
Order Code	Full Product Name	发光强度(标称)
929001354810	Master LED PAR30L 32W 30D 840 CN	-
929001354910	Master LED PAR30L 32W 30D 860 CN	-
929001374410	Master LED PAR30L 40W 15D 830 CN	40000 cd
929001374510	Master LED PAR30L 40W 15D 840 CN	42000 cd
929001374610	Master LED PAR30L 40W 15D 860 CN	42000 cd
929001374810	Master LED PAR30L 40W 30D 830 CN	13500 cd
929001374910	Master LED PAR30L 40W 30D 840 CN	14000 cd
929001375010	Master LED PAR30L 40W 30D 860 CN	14000 cd

## 温度

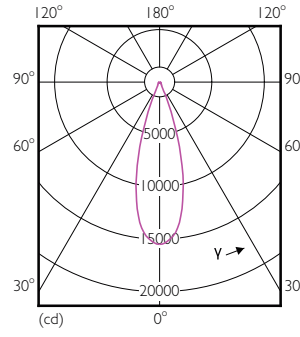
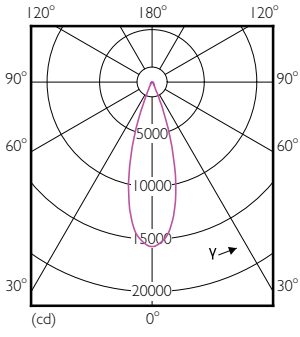
Order Code	Full Product Name	最大外壳温度(标称)
929001353810	Master LED PAR30L 20W 15D 830 CN	67°C
929001353910	Master LED PAR30L 20W 15D 840 CN	67°C
929001354010	Master LED PAR30L 20W 30D 830 CN	67°C
929001354110	Master LED PAR30L 20W 30D 840 CN	67°C
929001354310	Master LED PAR30L 32W 15D 830 CN	79°C
929001354410	Master LED PAR30L 32W 15D 840 CN	79°C
929001354510	Master LED PAR30L 32W 15D 860 CN	79°C
929001354710	Master LED PAR30L 32W 30D 830 CN	79°C
929001354810	Master LED PAR30L 32W 30D 840 CN	79°C
929001354910	Master LED PAR30L 32W 30D 860 CN	79°C
929001374410	Master LED PAR30L 40W 15D 830 CN	90°C
929001374510	Master LED PAR30L 40W 15D 840 CN	90°C
929001374610	Master LED PAR30L 40W 15D 860 CN	90°C
929001374810	Master LED PAR30L 40W 30D 830 CN	90°C
929001374910	Master LED PAR30L 40W 30D 840 CN	90°C
929001375010	Master LED PAR30L 40W 30D 860 CN	90°C



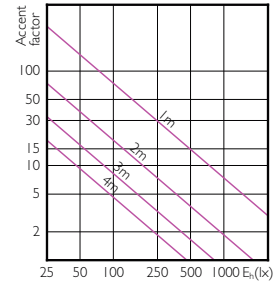
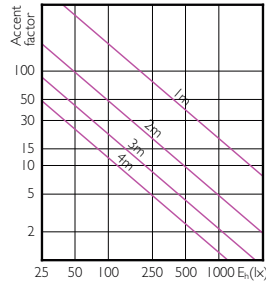
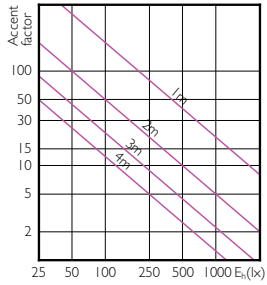
# 高光通 MASTER LEDspot PAR



# 高光通 MASTER LEDspot PAR



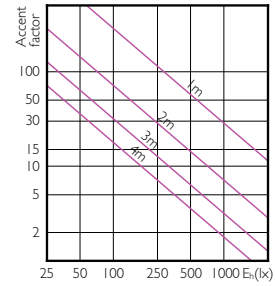
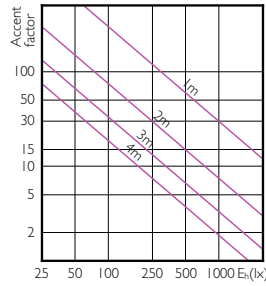
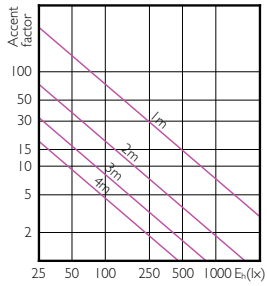
## Accent Diagrams



LEDspot MAS 20W E27 PAR30L 830 15D ND

LEDspot PAR30L E27 20W 4000K 15D

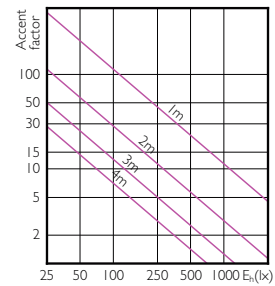
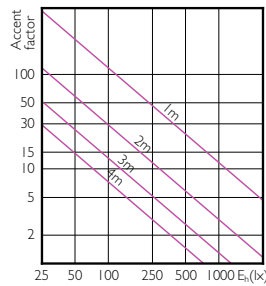
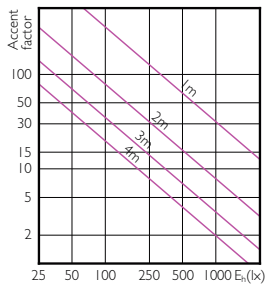
LEDspot MAS 20W E27 PAR30L 830 30D ND



LEDspot PAR30L E27 20W 4000K 30D

LEDspot PAR30L E27 3000K 15D

LEDspot PAR30L E27 32W 4000K 15D

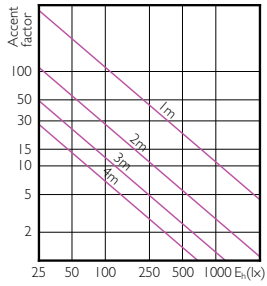


LEDspot PAR30L E27 5700K 15D

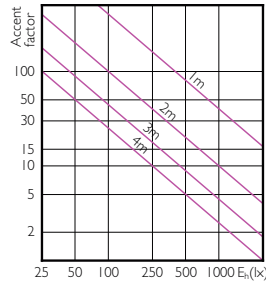
LEDspot PAR30L E27 3000K 30D

LEDspot PAR30L E27 32W 4000K 30D

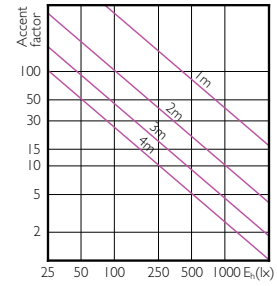
## Accent Diagrams



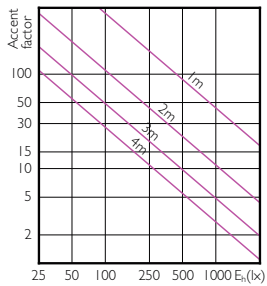
LEDspot PAR30L E27 5700K 30D



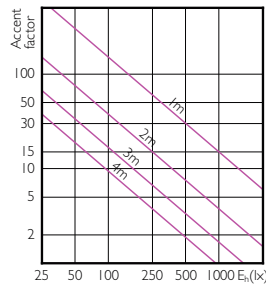
LEDspot MAS 37W E27 PAR30L 830 15D ND



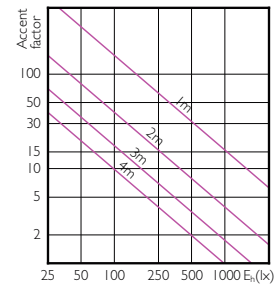
LEDspot E27 PAR30L 35W 4000K



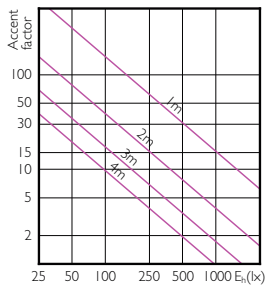
LEDspot E27 PAR30L 35W 6000K



LEDspot MAS 41W E27 PAR30L 830 30D ND

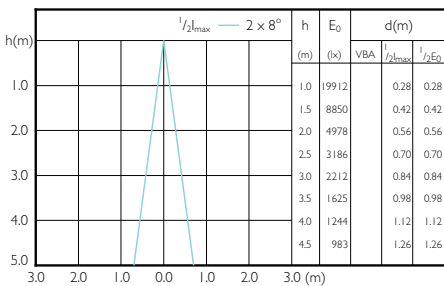


LEDspot E27 PAR30L 40W 4000K

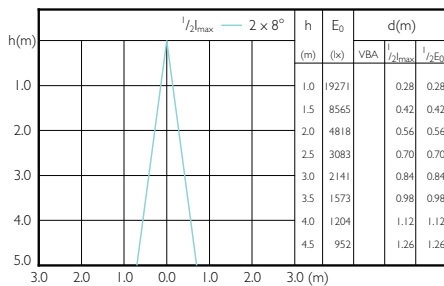


LEDspot E27 PAR30L 40W 6000K

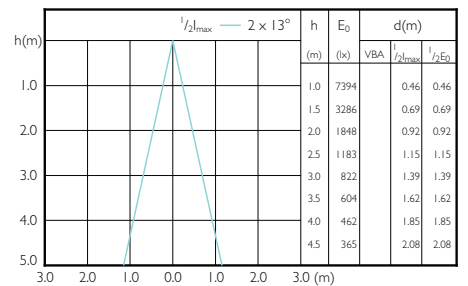
## Beam Diagrams



LEDspot MAS 20W E27 PAR30L 830 15D ND

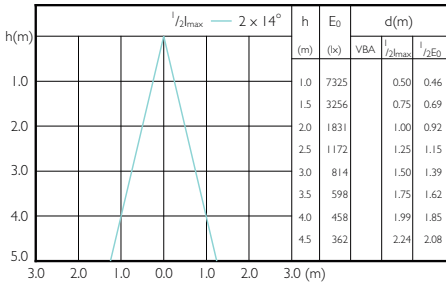


LEDspot PAR30L E27 20W 4000K 15D

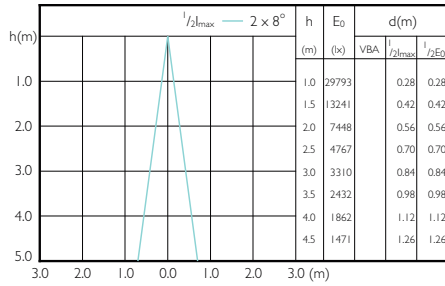


LEDspot MAS 20W E27 PAR30L 830 30D ND

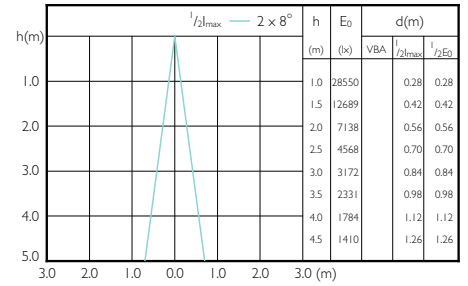
## Beam Diagrams



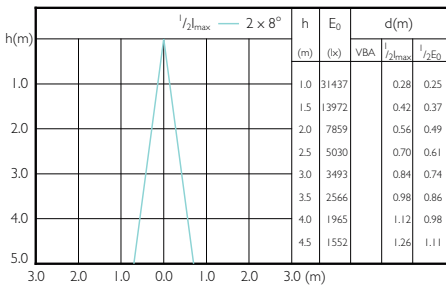
LEDspot PAR30L E27 20W 4000K 30D



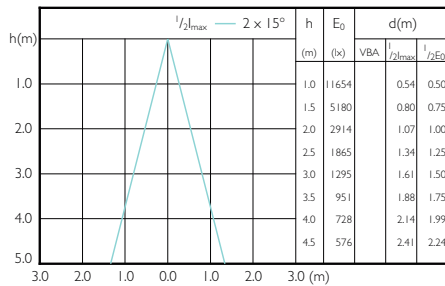
LEDspot PAR30L E27 3000K 15D



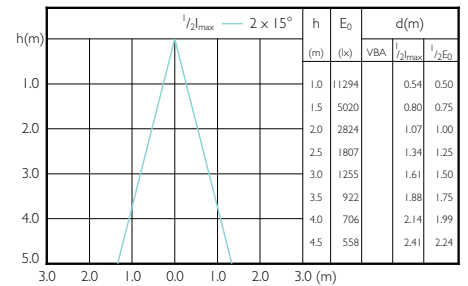
LEDspot PAR30L E27 32W 4000K 15D



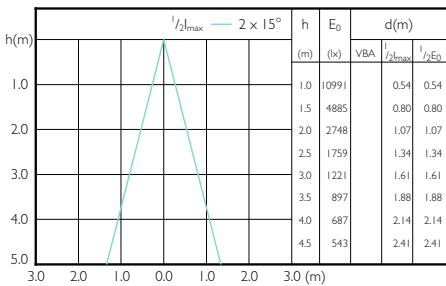
LEDspot PAR30L E27 5700K 15D



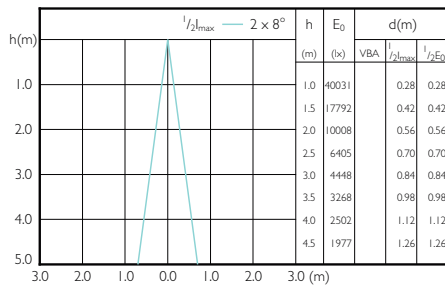
LEDspot PAR30L E27 3000K 30D



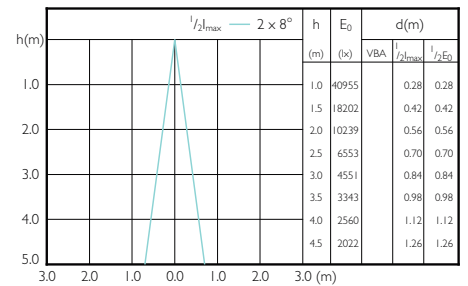
LEDspot PAR30L E27 32W 4000K 30D



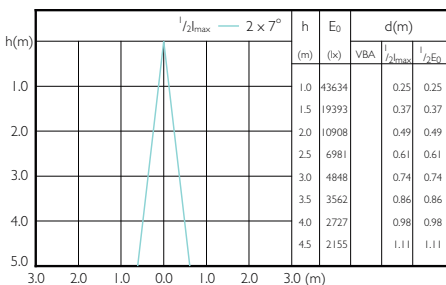
LEDspot PAR30L E27 5700K 30D



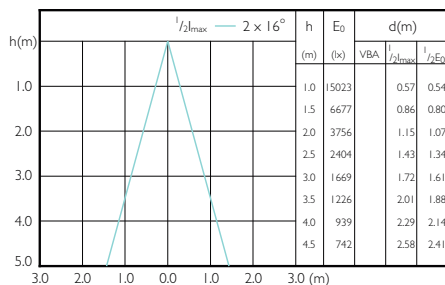
LEDspot MAS 37W E27 PAR30L 830 15D ND



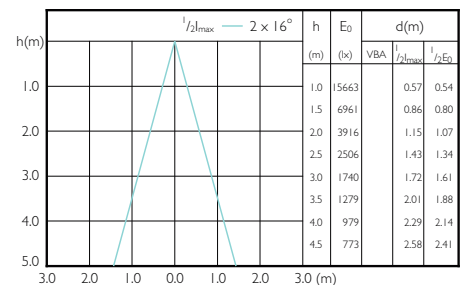
LEDspot E27 PAR30L 35W 4000K



LEDspot E27 PAR30L 35W 6000K



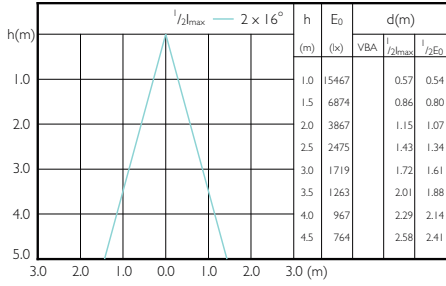
LEDspot MAS 41W E27 PAR30L 830 30D ND



LEDspot E27 PAR30L 40W 4000K



## Beam Diagrams



LEDspot E27 PAR30L 40W 6000K

