



# Essential LEDtube - Affordable LED solution

## Essential LEDtube

Essential LEDtube is an affordable LED tube that is suitable for replacing T8 fluorescent lamps. The product provides a natural lighting effect for use in general lighting applications, as well as instant energy savings – an environmentally friendly solution.

### 优点

- Reduced electricity costs thanks to significant energy savings
- Longer lifetime minimizes re-lamping for reduced maintenance costs
- A better choice for the environment – no mercury

### 特点

- Affordable LED replacement for T8 fluorescent lamps
- Energy consumption less than half that of normal fluorescent lamps
- 25,000 hours lifetime, double that of normal fluorescent lamps
- No mercury; glass-free tube – no breakage concerns

### 应用

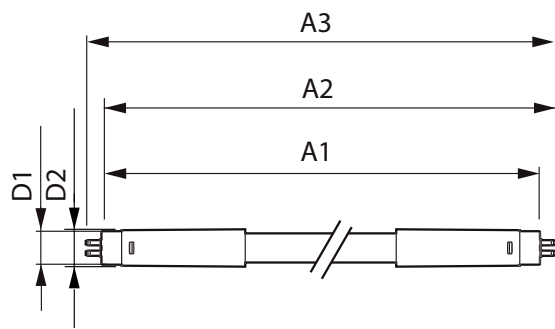
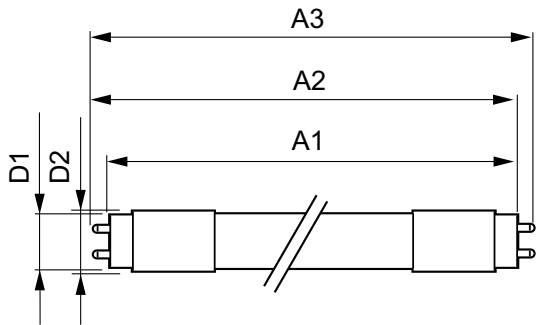
- Retail, offices
- Industry, warehouses, public places, schools, hospitals, car parks

# Essential LEDtube

## Versions



## 二维绘图



Product	D1	D2	A1	A2	A3
LEDtube 600mm 8W 740 T8 CN I	25.68 mm	28 mm	588.5 mm	595.5 mm	602.5 mm
LEDtube 600mm 8W 765 T8 CN I	25.68 mm	28 mm	588.5 mm	595.5 mm	602.5 mm
LEDtube 1200mm 16W 765 T8 CN I	25.68 mm	28 mm	1198.0 mm	1205.0 mm	1212.0 mm
LEDtube 1200mm 16W 740 T8 CN I	25.68 mm	28 mm	1198.0 mm	1205.0 mm	1212.0 mm

Product	D1	D2	A1	A2	A3
CorePro LEDtube 1200mm 16W865 G5 I APR	15.8 mm	19 mm	1149 mm	1156.1 mm	1163.2 mm
CorePro LEDtube 1200mm 16W830 G5 I APR	15.8 mm	19 mm	1149 mm	1156.1 mm	1163.2 mm
CorePro LEDtube 1200mm 16W840 G5 I APR	15.8 mm	19 mm	1149 mm	1156.1 mm	1163.2 mm
CorePro LEDtube 600mm 8W865 G5 I APR	15.8 mm	19 mm	549 mm	556.1 mm	563.2 mm
CorePro LEDtube 600mm 8W830 G5 I APR	15.8 mm	19 mm	549 mm	556.1 mm	563.2 mm
CorePro LEDtube 600mm 8W840 G5 I APR	15.8 mm	19 mm	549 mm	556.1 mm	563.2 mm

## 控制调光

可调光 否

## 运营和电气

输入频率 50 至 60 Hz

启动时间 (标称) 0.5 s

## 照明科技

标称使用寿命结束时灯的光通维持率 (标称) 70 %

## 机械和壳体

灯泡外形 管, 双端

## 温度

环境温度 (最高) 45 °C

环境温度 (最低) -20 °C

存放温度 (最高) 65 °C

存放温度 (最低) -40 °C

## 应用

Order Code	Full Product Name	能耗 kWh/1000 h
929001127410	LEDtube 1200mm 16W 740 T8 CN I	16 kWh
929001127510	LEDtube 1200mm 16W 765 T8 CN I	16 kWh
929001127610	LEDtube 600mm 8W 740 T8 CN I	8 kWh
929001127710	LEDtube 600mm 8W 765 T8 CN I	8 kWh
929001380608	CorePro LEDtube 600mm 8W830 G5 I APR	8 kWh
929001380708	CorePro LEDtube 600mm 8W840 G5 I APR	8 kWh
929001380808	CorePro LEDtube 600mm 8W865 G5 I APR	8 kWh
929001380908	CorePro LEDtube 1200mm 16W830 G5 I APR	16 kWh
929001381008	CorePro LEDtube 1200mm 16W840 G5 I APR	16 kWh
929001381108	CorePro LEDtube 1200mm 16W865 G5 I APR	16 kWh
929001383508	CorePro LEDtube HO 1200mm 18W865T8 AP	18 kWh

## 运营和电气

Order Code	Full Product Name	电压 (标称) 功率 (标称值)
929001127410	LEDtube 1200mm 16W 740 T8 CN I	220-240 V 16 W
929001127510	LEDtube 1200mm 16W 765 T8 CN I	220-240 V 16 W
929001127610	LEDtube 600mm 8W 740 T8 CN I	220-240 V 8 W
929001127710	LEDtube 600mm 8W 765 T8 CN I	220-240 V 8 W
929001380608	CorePro LEDtube 600mm 8W830 G5 I APR	100-240 V 8 W
929001380708	CorePro LEDtube 600mm 8W840 G5 I APR	100-240 V 8 W
929001380808	CorePro LEDtube 600mm 8W865 G5 I APR	100-240 V 8 W
929001380908	CorePro LEDtube 1200mm 16W830 G5 I APR	100-240 V 16 W

Order Code	Full Product Name	电压 (标称) 功率 (标称值)
929001381008	CorePro LEDtube 1200mm 16W840 G5 I APR	100-240 V 16 W
929001381108	CorePro LEDtube 1200mm 16W865 G5 I APR	100-240 V 16 W
929001383508	CorePro LEDtube HO 1200mm 18W865T8 AP	220-240 V 18 W

## 基本信息

Order Code	Full Product Name	底座	标称寿命 (标称)	切换循环
929001127410	LEDtube 1200mm 16W 740 T8 CN I	G13	15000 h	50000X
929001127510	LEDtube 1200mm 16W 765 T8 CN I	G13	15000 h	50000X
929001127610	LEDtube 600mm 8W 740 T8 CN I	G13	15000 h	50000X
929001127710	LEDtube 600mm 8W 765 T8 CN I	G13	15000 h	50000X
929001380608	CorePro LEDtube 600mm 8W830 G5 I APR	G5	30000 h	50000X
929001380708	CorePro LEDtube 600mm 8W840 G5 I APR	G5	30000 h	50000X
929001380808	CorePro LEDtube 600mm 8W865 G5 I APR	G5	30000 h	50000X

Order Code	Full Product Name	底座	标称寿命 (标称)	切换循环
929001380908	CorePro LEDtube 1200mm 16W830 G5 I APR	G5	30000 h	50000X
929001381008	CorePro LEDtube 1200mm 16W840 G5 I APR	G5	30000 h	50000X
929001381108	CorePro LEDtube 1200mm 16W865 G5 I APR	G5	30000 h	50000X
929001383508	CorePro LEDtube HO 1200mm 18W865T8 AP	G13	30000 h	200000X

## 照明科技 (1/2)

# Essential LEDtube

Order Code	Full Product Name	光束角度 (标称)	颜色代码	相关色温(标称)	显色指数(标称)
929001127410	LEDtube 1200mm 16W 740 T8 CN I	240 °	740	4000 K	73
929001127510	LEDtube 1200mm 16W 765 T8 CN I	240 °	765	6500 K	73
929001127610	LEDtube 600mm 8W 740 T8 CN I	240 °	740	4000 K	73
929001127710	LEDtube 600mm 8W 765 T8 CN I	240 °	765	6500 K	73
929001380608	CorePro LEDtube 600mm 8W830 G5 I APR	200 °	830	3000 K	80
929001380708	CorePro LEDtube 600mm 8W840 G5 I APR	200 °	840	4000 K	80

Order Code	Full Product Name	光束角度 (标称)	颜色代码	相关色温(标称)	显色指数(标称)
929001380808	CorePro LEDtube 600mm 8W865 G5 I APR	200 °	865	6500 K	80
929001380908	CorePro LEDtube 1200mm 16W830 G5 I APR	200 °	830	3000 K	80
929001381008	CorePro LEDtube 1200mm 16W840 G5 I APR	200 °	840	4000 K	80
929001381108	CorePro LEDtube 1200mm 16W865 G5 I APR	200 °	865	6500 K	80
929001383508	CorePro LEDtube HO 1200mm 18W865T8 AP	240 °	865	6500 K	80

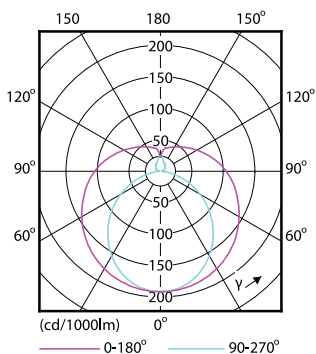
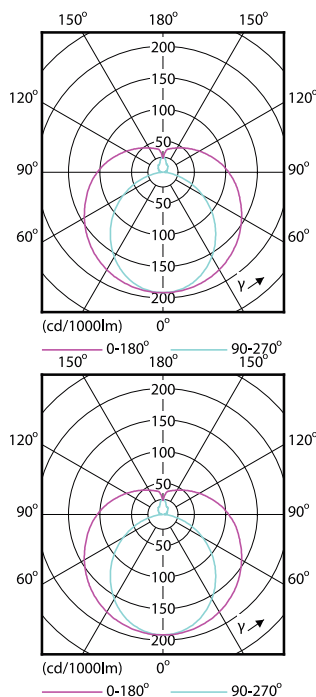
## 照明科技 (2/2)

Order Code	Full Product Name	光通量 (标称)
929001127410	LEDtube 1200mm 16W 740 T8 CN I	1600 lm
929001127510	LEDtube 1200mm 16W 765 T8 CN I	1600 lm
929001127610	LEDtube 600mm 8W 740 T8 CN I	800 lm
929001127710	LEDtube 600mm 8W 765 T8 CN I	800 lm
929001380608	CorePro LEDtube 600mm 8W830 G5 I APR	1000 lm
929001380708	CorePro LEDtube 600mm 8W840 G5 I APR	1050 lm

Order Code	Full Product Name	光通量 (标称)
929001380808	CorePro LEDtube 600mm 8W865 G5 I APR	1050 lm
929001380908	CorePro LEDtube 1200mm 16W830 G5 I APR	2000 lm
929001381008	CorePro LEDtube 1200mm 16W840 G5 I APR	2100 lm
929001381108	CorePro LEDtube 1200mm 16W865 G5 I APR	2100 lm
929001383508	CorePro LEDtube HO 1200mm 18W865T8 AP	2100 lm

## 温度

Order Code	Full Product Name	最大外壳温度 (标称)
929001127410	LEDtube 1200mm 16W 740 T8 CN I	60 °C
929001127510	LEDtube 1200mm 16W 765 T8 CN I	60 °C
929001127610	LEDtube 600mm 8W 740 T8 CN I	60 °C
929001127710	LEDtube 600mm 8W 765 T8 CN I	60 °C
929001380608	CorePro LEDtube 600mm 8W830 G5 I APR	70 °C
929001380708	CorePro LEDtube 600mm 8W840 G5 I APR	70 °C
929001380808	CorePro LEDtube 600mm 8W865 G5 I APR	70 °C
929001380908	CorePro LEDtube 1200mm 16W830 G5 I APR	70 °C
929001381008	CorePro LEDtube 1200mm 16W840 G5 I APR	70 °C
929001381108	CorePro LEDtube 1200mm 16W865 G5 I APR	70 °C
929001383508	CorePro LEDtube HO 1200mm 18W865T8 AP	65 °C



# Essential LEDtube

