



筒灯在规格和总体拥有成本方面具有竞争优势，产品多样，兼容各种系统

GreenSpace G5

GreenSpace Gen5 是全新 LED 筒灯系列，同时具备照明高效性、视觉舒适性、产品多样化和系统兼容性

优点

- 节能
- 设计紧凑
- 智能照明

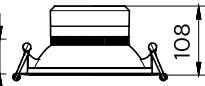
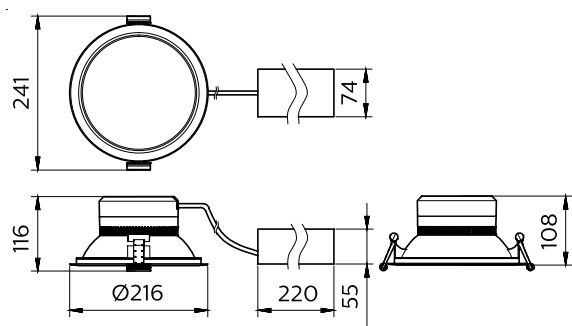
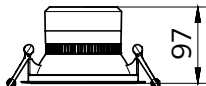
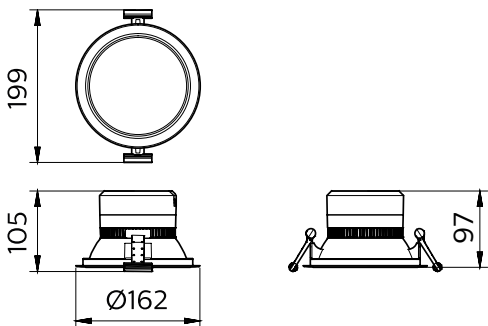
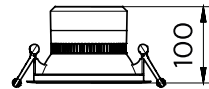
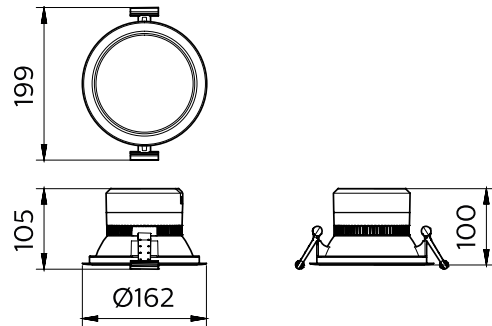
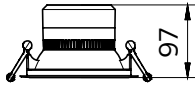
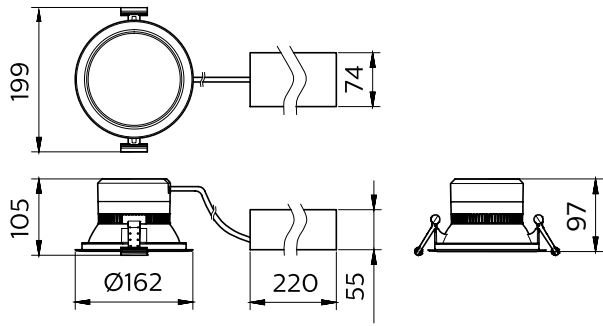
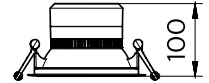
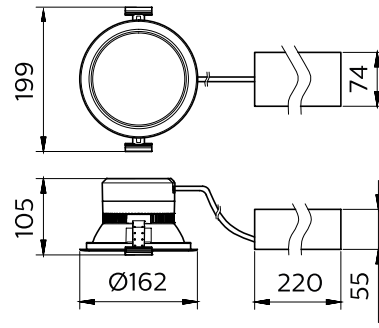
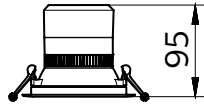
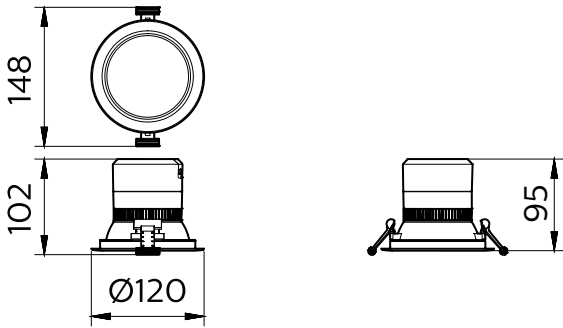
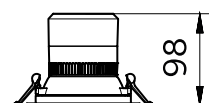
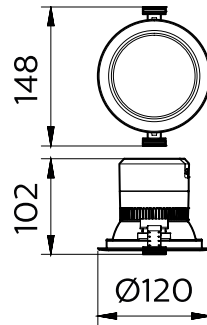
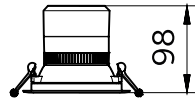
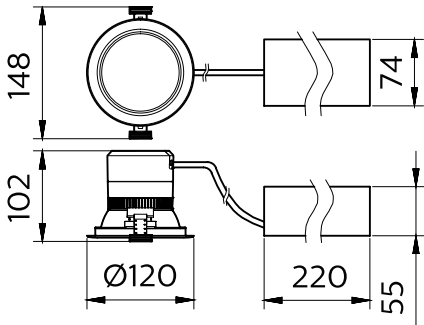
特点

- 高光效率
- 紧凑的规格
- DALI/DALI-VLC/POE 兼容

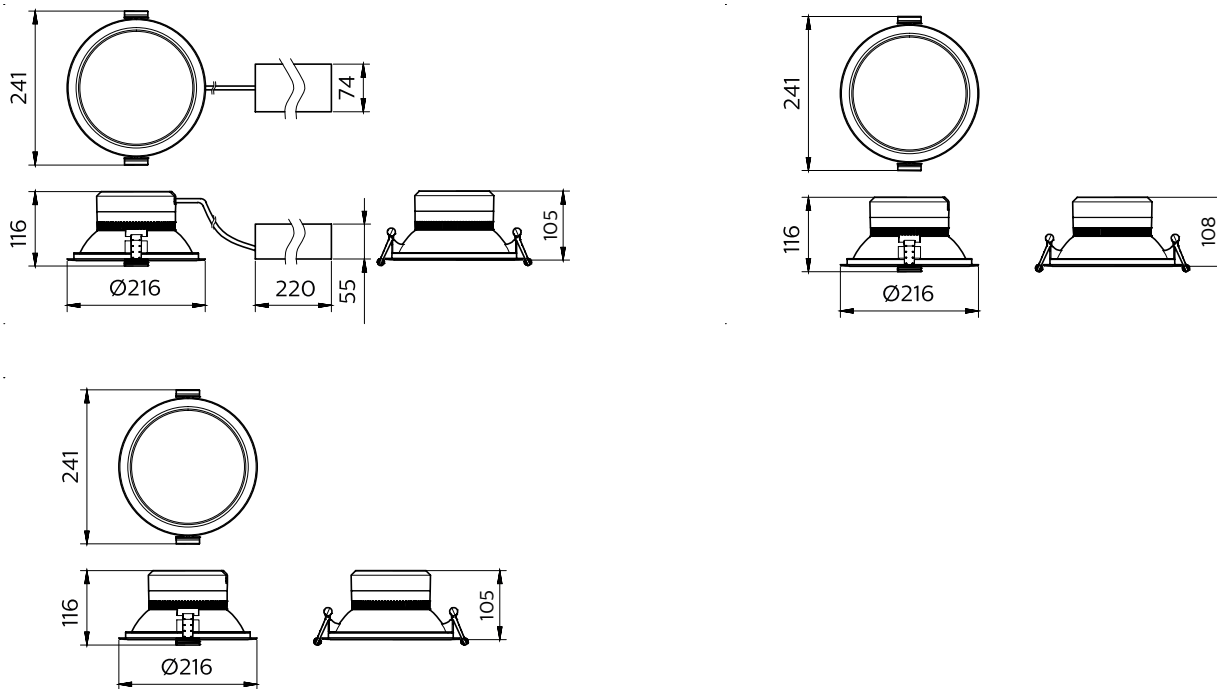
应用

- 办公照明
- 购物中心照明
- 酒店照明
- 商场照明等

二维绘图



二维绘图



一般信息	
CE 标志	-
包含的驱动器	是
可燃性标志	用于安装在常规可燃表面
灼热丝测试	温度 650°C ,持续时间 30 秒
可更换光源	否
设备组件数	1 个单位
灯技术	
光学盖/透镜类型	透明罩带白色盖
光学类型	高光泽高反射率
审批和申请	
机械冲击保护代码	IK02
初始性能 (符合 IEC 标准)	
光通量误差	+/-10%
长时间使用性能 (符合 IEC 标准)	
使用寿命中值 L80B50	43,000 小时
使用寿命中值 L90B50	20,000 小时

灯技术

Order Code	Full Product Name	光源光束角度
911401571841	DN390B LED6/830 PSU D100 ALU GC	60°
911401571941	DN390B LED6/840 PSU D100 ALU GC	60°
911401574841	DN390B LED6/830 PSU D100 ALU WP GC	60°
911401574941	DN390B LED6/840 PSU D100 ALU WP GC	60°
911401575041	DN390B LED6/865 PSU D100 ALU WP GC	60°
911401575141	DN391B LED11/830 PSU D100 ALU WP GC	60°
911401575241	DN391B LED11/840 PSU D100 ALU WP GC	60°
911401575341	DN391B LED11/865 PSU D100 ALU WP GC	60°
911401576541	DN391B LED11/830 PSU D100 ALU GC	60°
911401576641	DN391B LED11/840 PSU D100 ALU GC	60°
911401576741	DN391B LED11/830 PSD D100 ALU GC	60°
911401576841	DN391B LED11/840 PSD D100 ALU GC	60°
911401571641	DN390B LED6/830 PSU D100 WH GC	72°
911401571741	DN390B LED6/840 PSU D100 WH GC	72°
911401572341	DN391B LED11/830 PSU D150 ALU GC	60°
911401572441	DN391B LED11/840 PSU D150 ALU GC	60°
911401572541	DN391B LED11/865 PSU D150 ALU GC	60°
911401572841	DN391B LED11/830 PSD D150 ALU GC	60°
911401572941	DN391B LED11/840 PSD D150 ALU GC	60°
911401575441	DN392B LED16/830 PSU D150 ALU WP GC	60°
911401575541	DN392B LED16/840 PSU D150 ALU WP GC	60°
911401575641	DN392B LED16/865 PSU D150 ALU WP GC	60°
911401577141	DN392B LED16/830 PSU D150 ALU GC	60°
911401577241	DN392B LED16/840 PSU D150 ALU GC	60°
911401577541	DN392B LED16/830 PSD D150 ALU GC	60°

Order Code	Full Product Name	光源光束角度
911401577641	DN392B LED16/840 PSD D150 ALU GC	60°
911401572041	DN391B LED11/830 PSU D150 WH GC	85°
911401572141	DN391B LED11/840 PSU D150 WH GC	85°
911401572241	DN391B LED11/865 PSU D150 WH GC	85°
911401572641	DN391B LED11/830 PSD D150 WH GC	85°
911401572741	DN391B LED11/840 PSD D150 WH GC	85°
911401575741	DN392B LED16/830 POE D150 WH GC	85°
911401575841	DN392B LED16/840 POE D150 WH GC	85°
911401576941	DN392B LED16/830 PSU D150 WH GC	85°
911401577041	DN392B LED16/840 PSU D150 WH GC	85°
911401577341	DN392B LED16/830 PSD D150 WH GC	85°
911401577441	DN392B LED16/840 PSD D150 WH GC	85°
911401573341	DN392B LED16/830 PSU D200 ALU GC	60°
911401573441	DN392B LED16/840 PSU D200 ALU GC	60°
911401573541	DN392B LED16/865 PSU D200 ALU GC	60°
911401573941	DN392B LED16/840 PSD D200 ALU GC	60°
911401574241	DN393B LED22/830 PSU D200 ALU GC	60°
911401574341	DN393B LED22/840 PSU D200 ALU GC	60°
911401574641	DN393B LED22/830 PSD D200 ALU GC	60°
911401574741	DN393B LED22/840 PSD D200 ALU GC	60°
911401573041	DN392B LED16/830 PSU D200 WH GC	92°
911401573141	DN392B LED16/840 PSU D200 WH GC	92°
911401573241	DN392B LED16/865 PSU D200 WH GC	92°
911401573641	DN392B LED16/830 PSD D200 WH GC	92°
911401573741	DN392B LED16/840 PSD D200 WH GC	92°
911401574041	DN393B LED22/830 PSU D200 WH GC	92°
911401574141	DN393B LED22/840 PSU D200 WH GC	92°
911401574541	DN393B LED22/840 PSD D200 WH GC	92°

操作和电气

Order Code	Full Product Name	输入电压	Order Code	Full Product Name	输入电压
911401571841	DN390B LED6/830 PSU D100 ALU GC	220-240 V	911401575541	DN392B LED16/840 PSU D150 ALU WP GC	220-240 V
911401571941	DN390B LED6/840 PSU D100 ALU GC	220-240 V	911401575641	DN392B LED16/865 PSU D150 ALU WP GC	220-240 V
911401574841	DN390B LED6/830 PSU D100 ALU WP GC	220-240 V	911401577141	DN392B LED16/830 PSU D150 ALU GC	220-240 V
911401574941	DN390B LED6/840 PSU D100 ALU WP GC	220-240 V	911401577241	DN392B LED16/840 PSU D150 ALU GC	220-240 V
911401575041	DN390B LED6/865 PSU D100 ALU WP GC	220-240 V	911401577541	DN392B LED16/830 PSD D150 ALU GC	220-240 V
911401575141	DN391B LED11/830 PSU D100 ALU WP GC	220-240 V	911401577641	DN392B LED16/840 PSD D150 ALU GC	220-240 V
911401575241	DN391B LED11/840 PSU D100 ALU WP GC	220-240 V	911401572041	DN391B LED11/830 PSU D150 WH GC	220-240 V
911401575341	DN391B LED11/865 PSU D100 ALU WP GC	220-240 V	911401572141	DN391B LED11/840 PSU D150 WH GC	220-240 V
911401576541	DN391B LED11/830 PSU D100 ALU GC	220-240 V	911401572241	DN391B LED11/865 PSU D150 WH GC	220-240 V
911401576641	DN391B LED11/840 PSU D100 ALU GC	220-240 V	911401572641	DN391B LED11/830 PSD D150 WH GC	220-240 V
911401576741	DN391B LED11/830 PSD D100 ALU GC	220-240 V	911401572741	DN391B LED11/840 PSD D150 WH GC	220-240 V
911401576841	DN391B LED11/840 PSD D100 ALU GC	220-240 V	911401575741	DN392B LED16/830 POE D150 WH GC	53 V
911401571641	DN390B LED6/830 PSU D100 WH GC	220-240 V	911401575841	DN392B LED16/840 POE D150 WH GC	53 V
911401571741	DN390B LED6/840 PSU D100 WH GC	220-240 V	911401576941	DN392B LED16/830 PSU D150 WH GC	220-240 V
911401572341	DN391B LED11/830 PSU D150 ALU GC	220-240 V	911401577041	DN392B LED16/840 PSU D150 WH GC	220-240 V
911401572441	DN391B LED11/840 PSU D150 ALU GC	220-240 V	911401577341	DN392B LED16/830 PSD D150 WH GC	220-240 V
911401572541	DN391B LED11/865 PSU D150 ALU GC	220-240 V	911401577441	DN392B LED16/840 PSD D150 WH GC	220-240 V
911401572841	DN391B LED11/830 PSD D150 ALU GC	220-240 V	911401573341	DN392B LED16/830 PSU D200 ALU GC	220-240 V
911401572941	DN391B LED11/840 PSD D150 ALU GC	220-240 V	911401573441	DN392B LED16/840 PSU D200 ALU GC	220-240 V
911401575441	DN392B LED16/830 PSU D150 ALU WP GC	220-240 V	911401573541	DN392B LED16/865 PSU D200 ALU GC	220-240 V

Order Code	Full Product Name	输入电压
911401573941	DN392B LED16/840 PSD D200 ALU GC	220-240 V
911401574241	DN393B LED22/830 PSU D200 ALU GC	220-240 V
911401574341	DN393B LED22/840 PSU D200 ALU GC	220-240 V
911401574641	DN393B LED22/830 PSD D200 ALU GC	220-240 V
911401574741	DN393B LED22/840 PSD D200 ALU GC	220-240 V
911401573041	DN392B LED16/830 PSU D200 WH GC	220-240 V
911401573141	DN392B LED16/840 PSU D200 WH GC	220-240 V

Order Code	Full Product Name	输入电压
911401573241	DN392B LED16/865 PSU D200 WH GC	220-240 V
911401573641	DN392B LED16/830 PSD D200 WH GC	220-240 V
911401573741	DN392B LED16/840 PSD D200 WH GC	220-240 V
911401574041	DN393B LED22/830 PSU D200 WH GC	220-240 V
911401574141	DN393B LED22/840 PSU D200 WH GC	220-240 V
911401574541	DN393B LED22/840 PSD D200 WH GC	220-240 V

温度

Order Code	Full Product Name	环境温度范围
911401571841	DN390B LED6/830 PSU D100 ALU GC	-20 至 +40°C
911401571941	DN390B LED6/840 PSU D100 ALU GC	-20 至 +40°C
911401574841	DN390B LED6/830 PSU D100 ALU WP GC	-20 至 +40°C
911401574941	DN390B LED6/840 PSU D100 ALU WP GC	-20 至 +40°C
911401575041	DN390B LED6/865 PSU D100 ALU WP GC	-20 至 +40°C
911401575141	DN391B LED11/830 PSU D100 ALU WP GC	-20 至 +40°C
911401575241	DN391B LED11/840 PSU D100 ALU WP GC	-20 至 +40°C
911401575341	DN391B LED11/865 PSU D100 ALU WP GC	-20 至 +40°C
911401576541	DN391B LED11/830 PSU D100 ALU GC	-20 至 +40°C
911401576641	DN391B LED11/840 PSU D100 ALU GC	-20 至 +40°C
911401576741	DN391B LED11/830 PSD D100 ALU GC	-20 至 +40°C
911401576841	DN391B LED11/840 PSD D100 ALU GC	-20 至 +40°C
911401571641	DN390B LED6/830 PSU D100 WH GC	-20 至 +40°C
911401571741	DN390B LED6/840 PSU D100 WH GC	-20 至 +40°C
911401572341	DN391B LED11/830 PSU D150 ALU GC	-20 至 +40°C
911401572441	DN391B LED11/840 PSU D150 ALU GC	-20 至 +40°C
911401572541	DN391B LED11/865 PSU D150 ALU GC	-20 至 +40°C
911401572841	DN391B LED11/830 PSD D150 ALU GC	-20 至 +40°C
911401572941	DN391B LED11/840 PSD D150 ALU GC	-20 至 +40°C
911401575441	DN392B LED16/830 PSU D150 ALU WP GC	-20 至 +40°C
911401575541	DN392B LED16/840 PSU D150 ALU WP GC	-20 至 +40°C
911401575641	DN392B LED16/865 PSU D150 ALU WP GC	-20 至 +40°C
911401577141	DN392B LED16/830 PSU D150 ALU GC	-20 至 +40°C
911401577241	DN392B LED16/840 PSU D150 ALU GC	-20 至 +40°C
911401577541	DN392B LED16/830 PSD D150 ALU GC	0 至 +40°C
911401577641	DN392B LED16/840 PSD D150 ALU GC	-20 至 +40°C
911401572041	DN391B LED11/830 PSU D150 WH GC	-20 至 +40°C

Order Code	Full Product Name	环境温度范围
911401572141	DN391B LED11/840 PSU D150 WH GC	-20 至 +40°C
911401572241	DN391B LED11/865 PSU D150 WH GC	-20 至 +40°C
911401572641	DN391B LED11/830 PSD D150 WH GC	-20 至 +40°C
911401572741	DN391B LED11/840 PSD D150 WH GC	-20 至 +40°C
911401575741	DN392B LED16/830 POE D150 WH GC	0 至 +40°C
911401575841	DN392B LED16/840 POE D150 WH GC	0 至 +40°C
911401576941	DN392B LED16/830 PSU D150 WH GC	-20 至 +40°C
911401577041	DN392B LED16/840 PSU D150 WH GC	-20 至 +40°C
911401577341	DN392B LED16/830 PSD D150 WH GC	-20 至 +40°C
911401577441	DN392B LED16/840 PSD D150 WH GC	-20 至 +40°C
911401573341	DN392B LED16/830 PSU D200 ALU GC	-20 至 +40°C
911401573441	DN392B LED16/840 PSU D200 ALU GC	-20 至 +40°C
911401573541	DN392B LED16/865 PSU D200 ALU GC	-20 至 +40°C
911401573941	DN392B LED16/840 PSD D200 ALU GC	-20 至 +40°C
911401574241	DN393B LED22/830 PSU D200 ALU GC	-20 至 +40°C
911401574341	DN393B LED22/840 PSU D200 ALU GC	-20 至 +40°C
911401574641	DN393B LED22/830 PSD D200 ALU GC	-20 至 +40°C
911401574741	DN393B LED22/840 PSD D200 ALU GC	-20 至 +40°C
911401573041	DN392B LED16/830 PSU D200 WH GC	-20 至 +40°C
911401573141	DN392B LED16/840 PSU D200 WH GC	-20 至 +40°C
911401573241	DN392B LED16/865 PSU D200 WH GC	-20 至 +40°C
911401573641	DN392B LED16/830 PSD D200 WH GC	-20 至 +40°C
911401573741	DN392B LED16/840 PSD D200 WH GC	-20 至 +40°C
911401574041	DN393B LED22/830 PSU D200 WH GC	-20 至 +40°C
911401574141	DN393B LED22/840 PSU D200 WH GC	-20 至 +40°C
911401574541	DN393B LED22/840 PSD D200 WH GC	-20 至 +40°C

控制和调光

Order Code	Full Product Name	可调光
911401571841	DN390B LED6/830 PSU D100 ALU GC	否
911401571941	DN390B LED6/840 PSU D100 ALU GC	否
911401574841	DN390B LED6/830 PSU D100 ALU WP GC	否
911401574941	DN390B LED6/840 PSU D100 ALU WP GC	否
911401575041	DN390B LED6/865 PSU D100 ALU WP GC	否
911401575141	DN391B LED11/830 PSU D100 ALU WP GC	否
911401575241	DN391B LED11/840 PSU D100 ALU WP GC	否
911401575341	DN391B LED11/865 PSU D100 ALU WP GC	否
911401576541	DN391B LED11/830 PSU D100 ALU GC	否

Order Code	Full Product Name	可调光
911401576641	DN391B LED11/840 PSU D100 ALU GC	否
911401576741	DN391B LED11/830 PSD D100 ALU GC	是
911401576841	DN391B LED11/840 PSD D100 ALU GC	是
911401571641	DN390B LED6/830 PSU D100 WH GC	否
911401571741	DN390B LED6/840 PSU D100 WH GC	否
911401572341	DN391B LED11/830 PSU D150 ALU GC	否
911401572441	DN391B LED11/840 PSU D150 ALU GC	否
911401572541	DN391B LED11/865 PSU D150 ALU GC	否
911401572841	DN391B LED11/830 PSD D150 ALU GC	是

Order Code	Full Product Name	可调光
911401572941	DN391B LED11/840 PSD D150 ALU GC	是
911401575441	DN392B LED16/830 PSU D150 ALU WP GC	否
911401575541	DN392B LED16/840 PSU D150 ALU WP GC	否
911401575641	DN392B LED16/865 PSU D150 ALU WP GC	否
911401577141	DN392B LED16/830 PSU D150 ALU GC	否
911401577241	DN392B LED16/840 PSU D150 ALU GC	否
911401577541	DN392B LED16/830 PSD D150 ALU GC	是
911401577641	DN392B LED16/840 PSD D150 ALU GC	是
911401572041	DN391B LED11/830 PSU D150 WH GC	否
911401572141	DN391B LED11/840 PSU D150 WH GC	否
911401572241	DN391B LED11/865 PSU D150 WH GC	否
911401572641	DN391B LED11/830 PSD D150 WH GC	是
911401572741	DN391B LED11/840 PSD D150 WH GC	是
911401575741	DN392B LED16/830 POE D150 WH GC	是
911401575841	DN392B LED16/840 POE D150 WH GC	是
911401576941	DN392B LED16/830 PSU D150 WH GC	否
911401577041	DN392B LED16/840 PSU D150 WH GC	否
911401577341	DN392B LED16/830 PSD D150 WH GC	是

Order Code	Full Product Name	可调光
911401577441	DN392B LED16/840 PSD D150 WH GC	是
911401573341	DN392B LED16/830 PSU D200 ALU GC	否
911401573441	DN392B LED16/840 PSU D200 ALU GC	否
911401573541	DN392B LED16/865 PSU D200 ALU GC	否
911401573941	DN392B LED16/840 PSD D200 ALU GC	是
911401574241	DN393B LED22/830 PSU D200 ALU GC	否
911401574341	DN393B LED22/840 PSU D200 ALU GC	否
911401574641	DN393B LED22/830 PSD D200 ALU GC	是
911401574741	DN393B LED22/840 PSD D200 ALU GC	是
911401573041	DN392B LED16/830 PSU D200 WH GC	否
911401573141	DN392B LED16/840 PSU D200 WH GC	否
911401573241	DN392B LED16/865 PSU D200 WH GC	否
911401573641	DN392B LED16/830 PSD D200 WH GC	是
911401573741	DN392B LED16/840 PSD D200 WH GC	是
911401574041	DN393B LED22/830 PSU D200 WH GC	否
911401574141	DN393B LED22/840 PSU D200 WH GC	否
911401574541	DN393B LED22/840 PSD D200 WH GC	是

审批和申请

Order Code	Full Product Name	保护等级 IEC	IP 等级
911401571841	DN390B LED6/830 PSU D100 ALU GC	安全等级 I	IP20
911401571941	DN390B LED6/840 PSU D100 ALU GC	安全等级 I	IP20
911401574841	DN390B LED6/830 PSU D100 ALU WP GC	安全等级 I	IP20/54
911401574941	DN390B LED6/840 PSU D100 ALU WP GC	安全等级 I	IP20/54
911401575041	DN390B LED6/865 PSU D100 ALU WP GC	安全等级 I	IP20/54
911401575141	DN391B LED11/830 PSU D100 ALU WP GC	安全等级 I	IP20/54
911401575241	DN391B LED11/840 PSU D100 ALU WP GC	安全等级 I	IP20/54
911401575341	DN391B LED11/865 PSU D100 ALU WP GC	安全等级 I	IP20/54
911401576541	DN391B LED11/830 PSU D100 ALU GC	安全等级 I	IP20
911401576641	DN391B LED11/840 PSU D100 ALU GC	安全等级 I	IP20
911401576741	DN391B LED11/830 PSD D100 ALU GC	安全等级 I	IP20
911401576841	DN391B LED11/840 PSD D100 ALU GC	安全等级 I	IP20
911401571641	DN390B LED6/830 PSU D100 WH GC	安全等级 I	IP20
911401571741	DN390B LED6/840 PSU D100 WH GC	安全等级 I	IP20
911401572341	DN391B LED11/830 PSU D150 ALU GC	安全等级 I	IP20
911401572441	DN391B LED11/840 PSU D150 ALU GC	安全等级 I	IP20
911401572541	DN391B LED11/865 PSU D150 ALU GC	安全等级 I	IP20
911401572841	DN391B LED11/830 PSD D150 ALU GC	安全等级 I	IP20
911401572941	DN391B LED11/840 PSD D150 ALU GC	安全等级 I	IP20
911401575441	DN392B LED16/830 PSU D150 ALU WP GC	安全等级 I	IP20/54
911401575541	DN392B LED16/840 PSU D150 ALU WP GC	安全等级 I	IP20/54
911401575641	DN392B LED16/865 PSU D150 ALU WP GC	安全等级 I	IP20/54
911401577141	DN392B LED16/830 PSU D150 ALU GC	安全等级 I	IP20
911401577241	DN392B LED16/840 PSU D150 ALU GC	安全等级 I	IP20
911401577541	DN392B LED16/830 PSD D150 ALU GC	安全等级 I	IP20
911401577641	DN392B LED16/840 PSD D150 ALU GC	安全等级 I	IP20
911401572041	DN391B LED11/830 PSU D150 WH GC	安全等级 I	IP20

Order Code	Full Product Name	保护等级 IEC	IP 等级
911401572141	DN391B LED11/840 PSU D150 WH GC	安全等级 I	IP20
911401572241	DN391B LED11/865 PSU D150 WH GC	安全等级 I	IP20
911401572641	DN391B LED11/830 PSD D150 WH GC	安全等级 I	IP20
911401572741	DN391B LED11/840 PSD D150 WH GC	安全等级 I	IP20
911401575741	DN392B LED16/830 POE D150 WH GC	安全等级 III	IP20
911401575841	DN392B LED16/840 POE D150 WH GC	安全等级 III	IP20
911401576941	DN392B LED16/830 PSU D150 WH GC	安全等级 I	IP20
911401577041	DN392B LED16/840 PSU D150 WH GC	安全等级 I	IP20
911401577341	DN392B LED16/830 PSD D150 WH GC	安全等级 I	IP20
911401577441	DN392B LED16/840 PSD D150 WH GC	安全等级 I	IP20
911401573341	DN392B LED16/830 PSU D200 ALU GC	安全等级 I	IP20
911401573441	DN392B LED16/840 PSU D200 ALU GC	安全等级 I	IP20
911401573541	DN392B LED16/865 PSU D200 ALU GC	安全等级 I	IP20
911401573941	DN392B LED16/840 PSD D200 ALU GC	安全等级 I	IP20
911401574241	DN393B LED22/830 PSU D200 ALU GC	安全等级 I	IP20
911401574341	DN393B LED22/840 PSU D200 ALU GC	安全等级 I	IP20
911401574641	DN393B LED22/830 PSD D200 ALU GC	安全等级 I	IP20
911401574741	DN393B LED22/840 PSD D200 ALU GC	安全等级 I	IP20
911401573041	DN392B LED16/830 PSU D200 WH GC	安全等级 I	IP20
911401573141	DN392B LED16/840 PSU D200 WH GC	安全等级 I	IP20
911401573241	DN392B LED16/865 PSU D200 WH GC	安全等级 I	IP20
911401573641	DN392B LED16/830 PSD D200 WH GC	安全等级 I	IP20
911401573741	DN392B LED16/840 PSD D200 WH GC	安全等级 I	IP20
911401574041	DN393B LED22/830 PSU D200 WH GC	安全等级 I	IP20
911401574141	DN393B LED22/840 PSU D200 WH GC	安全等级 I	IP20
911401574541	DN393B LED22/840 PSD D200 WH GC	安全等级 I	IP20

初始性能 (符合 IEC 标准)

Order Code	Full Product Name	初始色度
911401571841	DN390B LED6/830 PSU D100 ALU GC	(0.44,0.403) SDCM<5
911401571941	DN390B LED6/840 PSU D100 ALU GC	(0.38,0.38) SDCM<5
911401574841	DN390B LED6/830 PSU D100 ALU WP GC	(0.44,0.403) SDCM<5
911401574941	DN390B LED6/840 PSU D100 ALU WP GC	(0.38,0.38) SDCM<5
911401575041	DN390B LED6/865 PSU D100 ALU WP GC	(0.31,0.32) SDCM<5
911401575141	DN391B LED11/830 PSU D100 ALU WP GC	(0.44,0.403) SDCM<5
911401575241	DN391B LED11/840 PSU D100 ALU WP GC	(0.38,0.38) SDCM<5
911401575341	DN391B LED11/865 PSU D100 ALU WP GC	(0.31,0.32) SDCM<5
911401576541	DN391B LED11/830 PSU D100 ALU GC	(0.44,0.403) SDCM<5
911401576641	DN391B LED11/840 PSU D100 ALU GC	(0.38,0.38) SDCM<5
911401576741	DN391B LED11/830 PSD D100 ALU GC	(0.44,0.403) SDCM<5
911401576841	DN391B LED11/840 PSD D100 ALU GC	(0.38,0.38) SDCM<5
911401571641	DN390B LED6/830 PSU D100 WH GC	(0.44,0.403) SDCM<5
911401571741	DN390B LED6/840 PSU D100 WH GC	(0.38,0.38) SDCM<5
911401572341	DN391B LED11/830 PSU D150 ALU GC	(0.44,0.403) SDCM<5
911401572441	DN391B LED11/840 PSU D150 ALU GC	(0.38,0.38) SDCM<5
911401572541	DN391B LED11/865 PSU D150 ALU GC	(0.31,0.32) SDCM<5
911401572841	DN391B LED11/830 PSD D150 ALU GC	(0.44,0.403) SDCM<5
911401572941	DN391B LED11/840 PSD D150 ALU GC	(0.38,0.38) SDCM<5
911401575441	DN392B LED16/830 PSU D150 ALU WP GC	(0.44,0.403) SDCM<5
911401575541	DN392B LED16/840 PSU D150 ALU WP GC	(0.38,0.38) SDCM<5
911401575641	DN392B LED16/865 PSU D150 ALU WP GC	(0.31,0.32) SDCM<5
911401577141	DN392B LED16/830 PSU D150 ALU GC	(0.44,0.403) SDCM<5
911401577241	DN392B LED16/840 PSU D150 ALU GC	(0.38,0.38) SDCM<5
911401577541	DN392B LED16/830 PSD D150 ALU GC	(0.44,0.403) SDCM<5
911401577641	DN392B LED16/840 PSD D150 ALU GC	(0.38,0.38) SDCM<5
911401572041	DN391B LED11/830 PSU D150 WH GC	(0.44,0.403) SDCM<5

Order Code	Full Product Name	初始色度
911401572141	DN391B LED11/840 PSU D150 WH GC	(0.38,0.38) SDCM<5
911401572241	DN391B LED11/865 PSU D150 WH GC	(0.31,0.32) SDCM<5
911401572641	DN391B LED11/830 PSD D150 WH GC	(0.44,0.403) SDCM<5
911401572741	DN391B LED11/840 PSD D150 WH GC	(0.38,0.38) SDCM<5
911401575741	DN392B LED16/830 POE D150 WH GC	(0.44,0.403) SDCM<5
911401575841	DN392B LED16/840 POE D150 WH GC	(0.38,0.38) SDCM<5
911401576941	DN392B LED16/830 PSU D150 WH GC	(0.44,0.403) SDCM<5
911401577041	DN392B LED16/840 PSU D150 WH GC	(0.38,0.38) SDCM<5
911401577341	DN392B LED16/830 PSD D150 WH GC	(0.44,0.403) SDCM<5
911401577441	DN392B LED16/840 PSD D150 WH GC	(0.38,0.38) SDCM<5
911401573341	DN392B LED16/830 PSU D200 ALU GC	(0.44,0.403) SDCM<5
911401573441	DN392B LED16/840 PSU D200 ALU GC	(0.38,0.38) SDCM<5
911401573541	DN392B LED16/865 PSU D200 ALU GC	(0.31,0.32) SDCM<5
911401573941	DN392B LED16/840 PSD D200 ALU GC	(0.38,0.38) SDCM<5
911401574241	DN393B LED22/830 PSU D200 ALU GC	(0.44,0.403) SDCM<5
911401574341	DN393B LED22/840 PSU D200 ALU GC	(0.38,0.38) SDCM<5
911401574641	DN393B LED22/830 PSD D200 ALU GC	(0.44,0.403) SDCM<5
911401574741	DN393B LED22/840 PSD D200 ALU GC	(0.38,0.38) SDCM<5
911401573041	DN392B LED16/830 PSU D200 WH GC	(0.44,0.403) SDCM<5
911401573141	DN392B LED16/840 PSU D200 WH GC	(0.38,0.38) SDCM<5
911401573241	DN392B LED16/865 PSU D200 WH GC	(0.31,0.32) SDCM<5
911401573641	DN392B LED16/830 PSD D200 WH GC	(0.44,0.403) SDCM<5
911401573741	DN392B LED16/840 PSD D200 WH GC	(0.38,0.38) SDCM<5
911401574041	DN393B LED22/830 PSU D200 WH GC	(0.44,0.403) SDCM<5
911401574141	DN393B LED22/840 PSU D200 WH GC	(0.38,0.38) SDCM<5
911401574541	DN393B LED22/840 PSD D200 WH GC	(0.38,0.38) SDCM<5

长时间使用性能 (符合 IEC 标准)

Order Code	Full Product Name	5000 小时下的驱动器故障率
911401571841	DN390B LED6/830 PSU D100 ALU GC	0.12 %
911401571941	DN390B LED6/840 PSU D100 ALU GC	0.12 %
911401574841	DN390B LED6/830 PSU D100 ALU WP GC	0.12 %
911401574941	DN390B LED6/840 PSU D100 ALU WP GC	0.12 %
911401575041	DN390B LED6/865 PSU D100 ALU WP GC	0.12 %
911401575141	DN391B LED11/830 PSU D100 ALU WP GC	0.12 %
911401575241	DN391B LED11/840 PSU D100 ALU WP GC	0.12 %
911401575341	DN391B LED11/865 PSU D100 ALU WP GC	0.12 %
911401576541	DN391B LED11/830 PSU D100 ALU GC	0.12 %
911401576641	DN391B LED11/840 PSU D100 ALU GC	0.12 %
911401576741	DN391B LED11/830 PSD D100 ALU GC	0.12 %
911401576841	DN391B LED11/840 PSD D100 ALU GC	0.12 %
911401571641	DN390B LED6/830 PSU D100 WH GC	0.12 %
911401571741	DN390B LED6/840 PSU D100 WH GC	0.12 %
911401572341	DN391B LED11/830 PSU D150 ALU GC	0.12 %
911401572441	DN391B LED11/840 PSU D150 ALU GC	0.12 %
911401572541	DN391B LED11/865 PSU D150 ALU GC	0.12 %
911401572841	DN391B LED11/830 PSD D150 ALU GC	0.12 %
911401572941	DN391B LED11/840 PSD D150 ALU GC	0.12 %
911401575441	DN392B LED16/830 PSU D150 ALU WP GC	0.16 %
911401575541	DN392B LED16/840 PSU D150 ALU WP GC	0.16 %

Order Code	Full Product Name	5000 小时下的驱动器故障率
911401575641	DN392B LED16/865 PSU D150 ALU WP GC	0.16 %
911401577141	DN392B LED16/830 PSU D150 ALU GC	0.16 %
911401577241	DN392B LED16/840 PSU D150 ALU GC	0.16 %
911401577541	DN392B LED16/830 PSD D150 ALU GC	0.16 %
911401577641	DN392B LED16/840 PSD D150 ALU GC	0.16 %
911401572041	DN391B LED11/830 PSU D150 WH GC	0.12 %
911401572141	DN391B LED11/840 PSU D150 WH GC	0.12 %
911401572241	DN391B LED11/865 PSU D150 WH GC	0.12 %
911401572641	DN391B LED11/830 PSD D150 WH GC	0.12 %
911401572741	DN391B LED11/840 PSD D150 WH GC	0.12 %
911401575741	DN392B LED16/830 POE D150 WH GC	0.16 %
911401575841	DN392B LED16/840 POE D150 WH GC	0.16 %
911401576941	DN392B LED16/830 PSU D150 WH GC	0.16 %
911401577041	DN392B LED16/840 PSU D150 WH GC	0.16 %
911401577341	DN392B LED16/830 PSD D150 WH GC	0.16 %
911401577441	DN392B LED16/840 PSD D150 WH GC	0.16 %
911401573341	DN392B LED16/830 PSU D200 ALU GC	0.16 %
911401573441	DN392B LED16/840 PSU D200 ALU GC	0.16 %
911401573541	DN392B LED16/865 PSU D200 ALU GC	0.16 %
911401573941	DN392B LED16/840 PSD D200 ALU GC	0.16 %
911401574241	DN393B LED22/830 PSU D200 ALU GC	0.12 %

Order Code	Full Product Name	5000 小时下的驱动器故障率
911401574341	DN393B LED22/840 PSU D200 ALU GC	0.12 %
911401574641	DN393B LED22/830 PSD D200 ALU GC	0.12 %
911401574741	DN393B LED22/840 PSD D200 ALU GC	0.12 %
911401573041	DN392B LED16/830 PSU D200 WH GC	0.16 %
911401573141	DN392B LED16/840 PSU D200 WH GC	0.16 %
911401573241	DN392B LED16/865 PSU D200 WH GC	0.16 %

Order Code	Full Product Name	5000 小时下的驱动器故障率
911401573641	DN392B LED16/830 PSD D200 WH GC	0.16 %
911401573741	DN392B LED16/840 PSD D200 WH GC	0.16 %
911401574041	DN393B LED22/830 PSU D200 WH GC	0.12 %
911401574141	DN393B LED22/840 PSU D200 WH GC	0.12 %
911401574541	DN393B LED22/840 PSD D200 WH GC	0.12 %

申请条件

Order Code	Full Product Name	最高暗淡级别
911401571841	DN390B LED6/830 PSU D100 ALU GC	不适用
911401571941	DN390B LED6/840 PSU D100 ALU GC	不适用
911401574841	DN390B LED6/830 PSU D100 ALU WP GC	不适用
911401574941	DN390B LED6/840 PSU D100 ALU WP GC	不适用
911401575041	DN390B LED6/865 PSU D100 ALU WP GC	不适用
911401575141	DN391B LED11/830 PSU D100 ALU WP GC	不适用
911401575241	DN391B LED11/840 PSU D100 ALU WP GC	不适用
911401575341	DN391B LED11/865 PSU D100 ALU WP GC	不适用
911401576541	DN391B LED11/830 PSU D100 ALU GC	不适用
911401576641	DN391B LED11/840 PSU D100 ALU GC	不适用
911401576741	DN391B LED11/830 PSD D100 ALU GC	-
911401576841	DN391B LED11/840 PSD D100 ALU GC	-
911401571641	DN390B LED6/830 PSU D100 WH GC	不适用
911401571741	DN390B LED6/840 PSU D100 WH GC	不适用
911401572341	DN391B LED11/830 PSU D150 ALU GC	不适用
911401572441	DN391B LED11/840 PSU D150 ALU GC	不适用
911401572541	DN391B LED11/865 PSU D150 ALU GC	不适用
911401572841	DN391B LED11/830 PSD D150 ALU GC	-
911401572941	DN391B LED11/840 PSD D150 ALU GC	-
911401575441	DN392B LED16/830 PSU D150 ALU WP GC	不适用
911401575541	DN392B LED16/840 PSU D150 ALU WP GC	不适用
911401575641	DN392B LED16/865 PSU D150 ALU WP GC	不适用
911401577141	DN392B LED16/830 PSU D150 ALU GC	不适用
911401577241	DN392B LED16/840 PSU D150 ALU GC	不适用
911401577541	DN392B LED16/830 PSD D150 ALU GC	-
911401577641	DN392B LED16/840 PSD D150 ALU GC	-
911401572041	DN391B LED11/830 PSU D150 WH GC	不适用

Order Code	Full Product Name	最高暗淡级别
911401572141	DN391B LED11/840 PSU D150 WH GC	不适用
911401572241	DN391B LED11/865 PSU D150 WH GC	不适用
911401572641	DN391B LED11/830 PSD D150 WH GC	-
911401572741	DN391B LED11/840 PSD D150 WH GC	-
911401575741	DN392B LED16/830 POE D150 WH GC	-
911401575841	DN392B LED16/840 POE D150 WH GC	-
911401576941	DN392B LED16/830 PSU D150 WH GC	不适用
911401577041	DN392B LED16/840 PSU D150 WH GC	不适用
911401577341	DN392B LED16/830 PSD D150 WH GC	-
911401577441	DN392B LED16/840 PSD D150 WH GC	-
911401573341	DN392B LED16/830 PSU D200 ALU GC	不适用
911401573441	DN392B LED16/840 PSU D200 ALU GC	不适用
911401573541	DN392B LED16/865 PSU D200 ALU GC	不适用
911401573941	DN392B LED16/840 PSD D200 ALU GC	-
911401574241	DN393B LED22/830 PSU D200 ALU GC	不适用
911401574341	DN393B LED22/840 PSU D200 ALU GC	不适用
911401574641	DN393B LED22/830 PSD D200 ALU GC	-
911401574741	DN393B LED22/840 PSD D200 ALU GC	-
911401573041	DN392B LED16/830 PSU D200 WH GC	不适用
911401573141	DN392B LED16/840 PSU D200 WH GC	不适用
911401573241	DN392B LED16/865 PSU D200 WH GC	不适用
911401573641	DN392B LED16/830 PSD D200 WH GC	-
911401573741	DN392B LED16/840 PSD D200 WH GC	-
911401574041	DN393B LED22/830 PSU D200 WH GC	不适用
911401574141	DN393B LED22/840 PSU D200 WH GC	不适用
911401574541	DN393B LED22/840 PSD D200 WH GC	-

