



# Dynalite 相切调光器

## DLE1220GL

12 channel Leading Edge Dimmer Controller with a maximum load per channel of 20 A.

The Philips Dynalite DLE1220GL is a 12 channel leading edge dimmer controller, with a maximum load per channel of 20 A and total device load of 180 A. - It is suitable for use with incandescent, neon and selected fluorescent light sources, as well as iron core and leading edge dimmable electronic transformers. - Large load capability DMX512 compatibility Interference suppression Naturally ventilated Soft start and voltage regulation technologies Diagnostic functionality User controls Options available

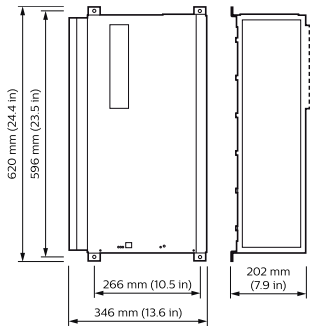
### 产品数据

基本信息	
CE 标志	CE 标识
备注	Please download the Lighting - Product Data Sheet for more information and ordering options
符合欧盟 RoHS 规范	是
适用条件	
环境温度范围	0 ~ +40°C
产品参数	
完整产品代码	871016350572500

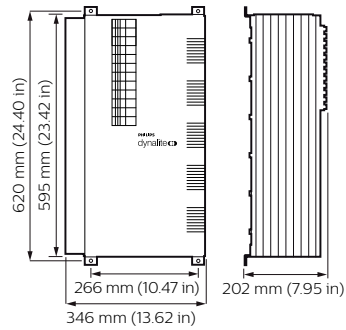
订单产品名称	DLE1220GL
EAN/UPC - 产品	8710163505725
订购代码	913703016009
SAP 计算器 - 每个包中的数量	1
计算器 - 每个外包装箱中的包数	1
SAP 材料	913703016009
SAP 净重 (每件)	29.000 kg

# Dynalite 相切调光器

## 二维绘图



Dynalite Leading Edge Dimmers



Dynalite Leading Edge Dimmers

