



Dynalite 相切调光器

DTE1210

12 channel Trailing Edge Dimmer Controller with a maximum load per channel of 10 A.

The Philips Dynalite DTE1210 trailing edge dimmer controller features 12 channels, with a maximum load per channel of 10 A and a total box load of 120 A. - The trailing edge output makes the device suitable for control of both trailing and leading edge electronic transformers, as well as incandescent lamps and track lighting. - Operates from three phase supply Voltage regulation and soft start technologies Naturally ventilated Interface to other devices Internal controls Options available

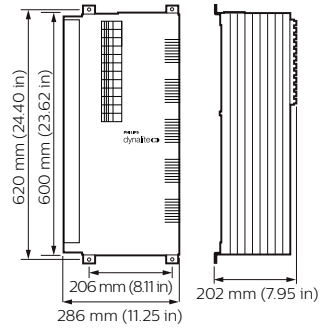
产品数据

基本信息	
CE 标志	CE 标识
备注	Please download the Lighting - Product Data Sheet for more information and ordering options
符合欧盟 RoHS 规范	是
适用条件	
环境温度范围	0 ~ +40°C
产品参数	
完整产品代码	871016350586200

订单产品名称	DTE1210
EAN/UPC - 产品	8710163505862
订购代码	913703022009
SAP 计算器 - 每个包中的数量	1
计算器 - 每个外包装箱中的包数	1
SAP 材料	913703022009
SAP 净重 (每件)	16.000 kg

Dynalite 相切调光器

二维绘图



Dynalite Trailing Edge Dimmers

Dynalite Trailing Edge Dimmers

