



MASTER LEDspot LV AR111

MAS LED SpotLV 20-100W 940 AR111 12D

Delivering a warm, halogen-like accent beam, MASTER LEDspot LV AR111 is an ideal retrofit solution for spot and general lighting applications in the hospitality and retail industry. It is particularly suitable for general lighting where the light is on all the time, such as creative accent lighting applications in shops, restaurants, hotels, and especially for galleries, exhibitions and museums.;The robustly designed MASTER LEDspot LV AR111 offers various beam angles for a clearly defined beam spread. There is no UV or IR in the beam, making it suitable for illuminating heat-sensitive objects (food, organic materials, paintings, etc.). The patented intelligent driver enables broad compatibility with existing electromagnetic and electronic halogen transformers. MASTER LEDspot LV AR111 delivers huge energy savings and minimizes maintenance cost without any reduction in brightness.

产品数据

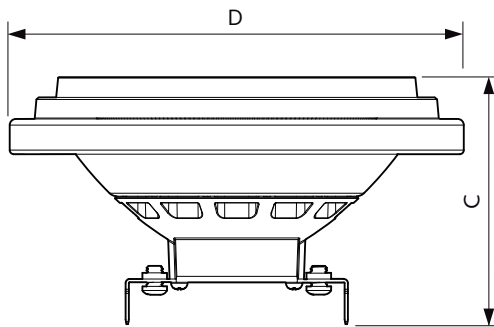
基本信息		运营和电气	
底盖	G53 [G53]	光效 (额定)(标称)	67.00 lm/W
符合欧盟 RoHS 规范	是	颜色一致性	<4
标称寿命 (标称)	25000 h	显色指数 (标称)	91
切换循环	50000X	标称使用寿命结束时灯的光通维持率 (标称)	70 %
技术类型	20-100W	输入频率	- Hz
照明科技		Power (Rated) (Nom)	20 W
颜色代码	940 [CCT 4000K]	灯具电流 (标称)	2400 mA
光束角度 (标称)	12 °	瓦数相当	100 W
光通量 (标称)	1350 lm	启动时间 (标称)	0.5 s
发光强度 (标称)	8000 cd	60% 灯光下的预热时间 (标称)	0.5 s
颜色名称	冷白色 (CW)	功率系数 (标称)	0.7
相关色温 (标称)	4000 K		

MASTER LEDspot LV AR111

电压 (标称)	ac electronic 12 V
温度	
最大外壳温度 (标称)	80 °C
控制调光	
可调光	是
机械和壳体	
灯泡外形	AR111
应用	
适用于重点照明	Yes

能耗 kWh/1000 h	22 kWh
产品参数	
完整产品代码	871869969069400
订单产品名称	MAS LED SpotLV 20-100W 940 AR111 12D
EAN/UPC - 产品	8718699690694
订购代码	929002239708
SAP 计算器 - 每个包中的数量	1
计算器 - 每个外包装箱中的包数	6
SAP 材料	929002239708
Copy Net Weight (Piece)	0.160 kg

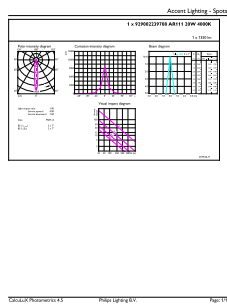
二维绘图



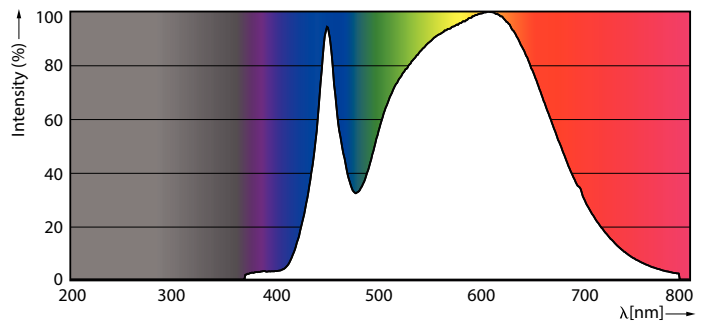
MAS LED SpotLV 20-100W 940 AR111 12D

Product	D	C
MAS LED SpotLV 20-100W 940 AR111 12D	111 mm	62 mm

光度数据



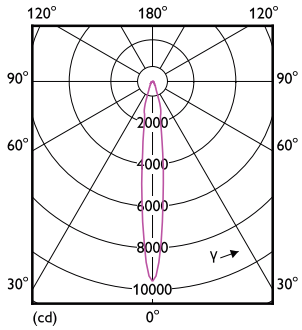
LEDspots 20W AR111 G53 940 12D-ADL



LEDspots 20W AR111 G53 940 12D-POC

MASTER LEDspot LV AR111

光度数据

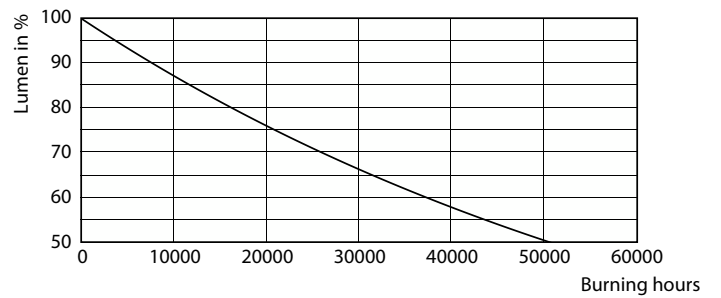


LEDspots 20W AR111 G53 940 12D-LDD

寿命



Life Expectancy Diagram



Lumen Maintenance Diagram

