



MASTER LEDspot LV AR111

MAS LED SpotLV 20-100W 940 AR111 40D

Delivering a warm, halogen-like accent beam, MASTER LEDspot LV AR111 is an ideal retrofit solution for spot and general lighting applications in the hospitality and retail industry. It is particularly suitable for general lighting where the light is on all the time, such as creative accent lighting applications in shops, restaurants, hotels, and especially for galleries, exhibitions and museums.;The robustly designed MASTER LEDspot LV AR111 offers various beam angles for a clearly defined beam spread. There is no UV or IR in the beam, making it suitable for illuminating heat-sensitive objects (food, organic materials, paintings, etc.). The patented intelligent driver enables broad compatibility with existing electromagnetic and electronic halogen transformers. MASTER LEDspot LV AR111 delivers huge energy savings and minimizes maintenance cost without any reduction in brightness.

产品数据

基本信息	
底盖	G53 [G53]
符合欧盟 RoHS 规范	是
标称寿命 (标称)	25000 h
切换循环	50000X
技术类型	20-100W
照明科技	
颜色代码	940 [CCT 4000K]
光束角度 (标称)	40°
光通量 (标称)	1350 lm
发光强度 (标称)	2200 cd
颜色名称	冷白色 (CW)
相关色温 (标称)	4000 K

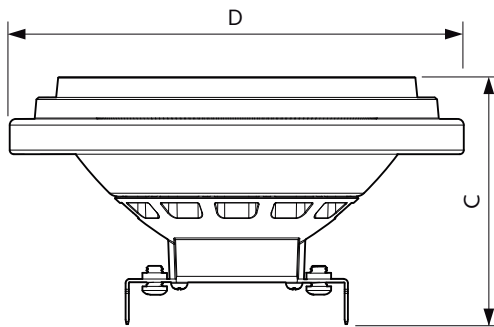
光效 (额定) (标称)	67.00 lm/W
颜色一致性	<4
显色指数 (标称)	91
标称使用寿命结束时灯的光通维持率 (标称)	70 %
运营和电气	
输入频率	- Hz
Power (Rated) (Nom)	20 W
灯具电流 (标称)	2400 mA
瓦数相当	100 W
启动时间 (标称)	0.5 s
60% 灯光下的预热时间 (标称)	0.5 s
功率系数 (标称)	0.7

MASTER LEDspot LV AR111

电压 (标称)	ac electronic 12 V
温度	
最大外壳温度 (标称)	80 °C
控制调光	
可调光	是
机械和壳体	
灯泡外形	AR111
应用	
适用于重点照明	Yes

能耗 kWh/1000 h	22 kWh
产品参数	
完整产品代码	871869969081600
订单产品名称	MAS LED SpotLV 20-100W 940 AR111 40D
EAN/UPC - 产品	8718699690816
订购代码	929002240308
SAP 计算器 - 每个包中的数量	1
计算器 - 每个外包装箱中的包数	6
SAP 材料	929002240308
Copy Net Weight (Piece)	0.160 kg

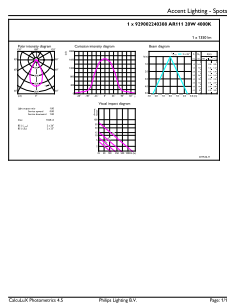
二维绘图



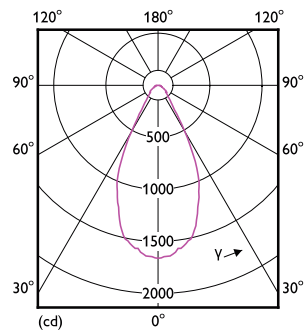
MAS LED SpotLV 20-100W 940 AR111 40D

Product	D	C
MAS LED SpotLV 20-100W 940 AR111 40D	111 mm	62 mm

光度数据



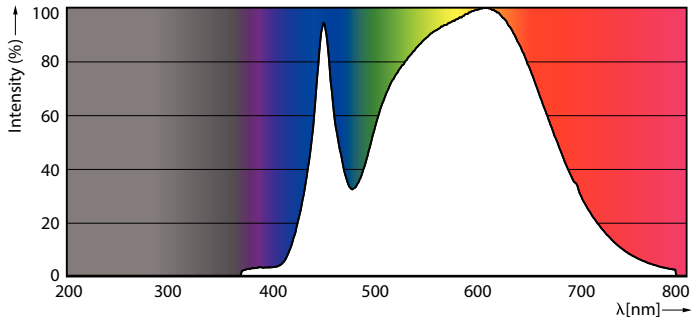
LEDspots 20W AR111 G53 940 40D-ADL



LEDspots 20W AR111 G53 940 40D-LDD

MASTER LEDspot LV AR111

光度数据

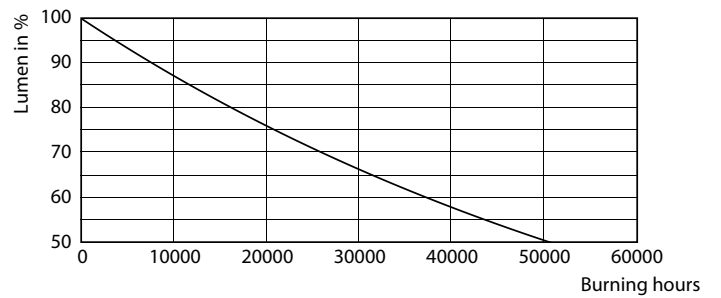


LEDspots 20W AR111 G53 940 12D-POC

寿命



Life Expectancy Diagram



Lumen Maintenance Diagram

